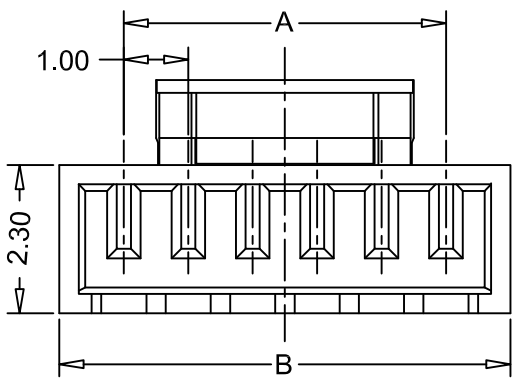


SPECIFICATIONS
 Current rating: 1A AC, DC
 Voltage rating: 50V AC,DC
 Temperature range: -25°C ~ +85°C
 Insulation resistance: 100MΩ/ min.
 Withstanding voltage: 500V AC/ minute.
 Contact resistance: 20mΩ/ max.
 Material:Nylon66 UL94 V-0

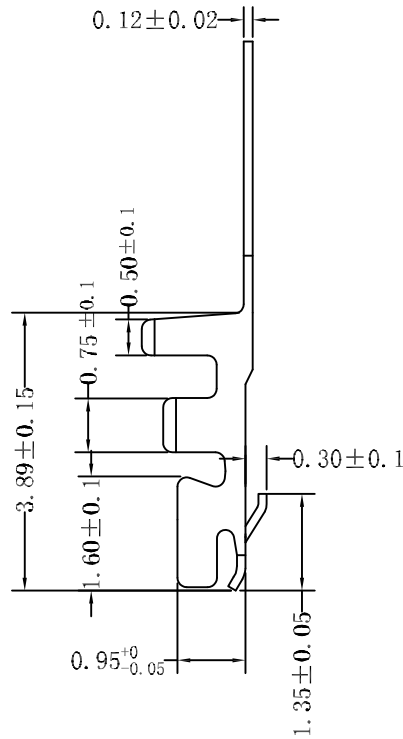
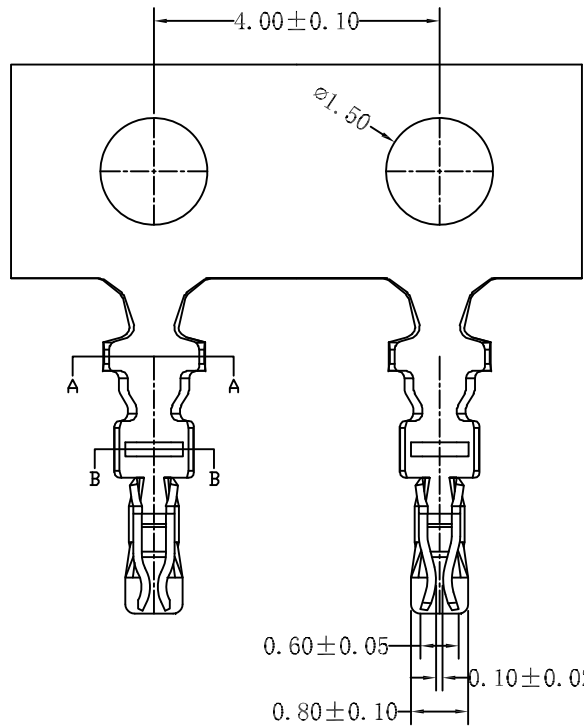


E1008H00-NPX-1 - HF-NK
 ① ② ③④ ⑤ ⑥ ⑦

- ① Series No.
- ② H90 : Side Contact
H00 : Up Contact
- ③ No. of Circuits
- ④ X : Product color(A--Y)
Blank : Natural type
- ⑤ L : Locking
- ⑥ HF : Halogen Free
- ⑦ NK : No Mark
Blank : Mark

Circuits	Dimensions		
	A	B	C
02	1.00	3.00	2.40
03	2.00	4.00	3.40
04	3.00	5.00	4.40
05	4.00	6.00	5.40
06	5.00	7.00	6.40
07	6.00	8.00	7.40
08	7.00	9.00	8.40
09	8.00	10.00	9.40
10	9.00	11.00	10.40
11	10.00	12.00	11.40
12	11.00	13.00	12.40
13	12.00	14.00	13.40
14	13.00	15.00	14.40
15	14.00	16.00	15.40
16	15.00	17.00	16.40
17	16.00	18.00	17.40
18	17.00	19.00	18.40
19	18.00	20.00	19.40
20	19.00	21.00	20.40

④				GENERAL TOLERANCE	UNIT: mm	DATE	TITLE: Pitch 1.00mm Housing			东莞市宏欣蓝电子有限公司		
③				.X±0.30	X°±1°	DRAWN: 张自豪 2015.05.28						
②				.XX±0.20	.X°±	CHECKED:	PROJECT	PART NO.	E1008H00-NPX-L-HF-XX			
①				.XXX±0.10	.XX°±	APPROVED:	VER.	SCALE:	N/A	DRAWING NO.	E1008H	
LTR	NAME	DATE	VERSION RECORD				A1	SHEET:	1/1			



SPECIFICATIONS

Current rating: 1A AC, DC
 Voltage rating: 50V AC, DC
 Temperature range: -25°C ~ +85°C
 Insulation resistance: 100MΩ/ min.
 Withstanding voltage: 500V AC/ minute.
 Contact resistance: 20mΩ/ max.

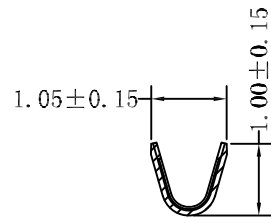
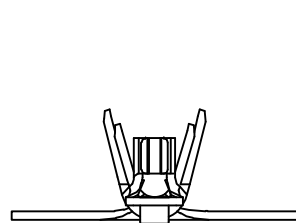
Material: Phosphor Bronze

Applicable wires:

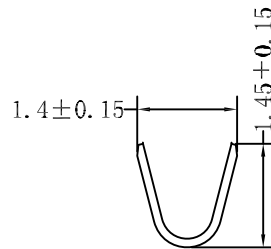
Conductor size: AWG#28~#32

Finish: Tin plated or Gold plated contact area

Q'TY/Reel: 15,000PCS



Section. B-B



Section. A-A

Note: E1008TOP-XX-XX

Finish	空码: Mark	
5A--Gold-flash	5B--2u"	5C--3u"
5D--4u"	5E--5u"	5F--10u"
5G--15u"	5H--30u"	5I--50u"
0A--Gold-flash	0B--2u"	0C--3u"
0D--4u"	0E--5u"	0F--10u"
0G--15u"	0H--30u"	0I--50u"
	NK:NO Mark	

LTR	NAME	DATE	VERSION RECORD
1			

GENERAL TOLERANCE		UNIT: mm	DATE
.X ± 0.30	X° ± 1°	DRAWN: 张自豪	2015.05.11
.XX ± 0.20	.X° ±	CHECKED:	
.XXX ± 0.10	.XX° ±	APPROVED:	

TITLE:		
Pitch 1.00mm Terminal		
VER.	SCALE:	N/A
A1	SHEET:	1/1

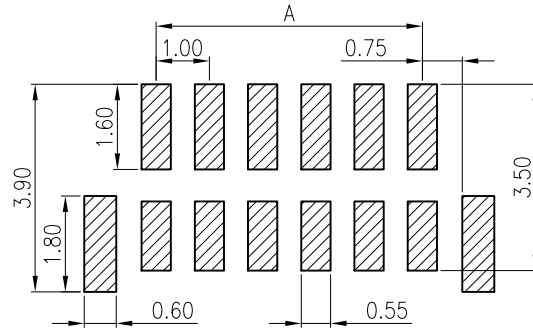
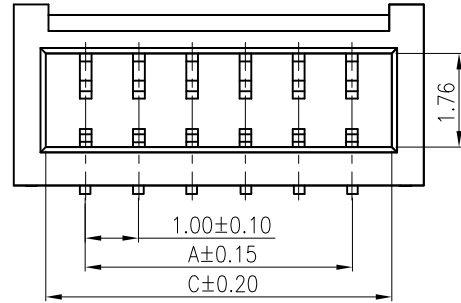
东莞市宏欣蓝电子有限公司		
PROJECT	PART NO.	E1008TOP-XX-XX
DRAWING NO.		E1008T

◆ SPECIFICATIONS

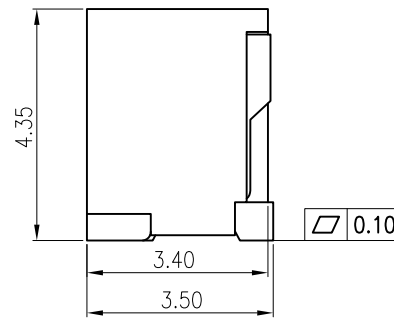
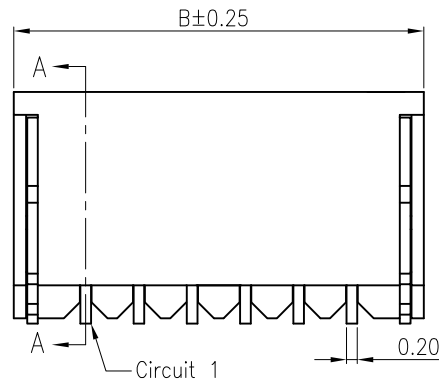
- Current rating: 1A AC, DC
- Voltage rating: 125V AC, DC
- Temperature range: -25°C ~ +85°C
- Insulation resistance: 100MΩ Min.
- Withstanding voltage: 500V AC/ minute.
- Contact resistance: 20mΩ Max.

Material:

Insulator: Nylon 9T UL 94V-0
 Contact: Brass
 Plating: Tin plated over Nickel
 Circuits: 2~20
 Suitable: E1008 series Housing



P.C.B Layout

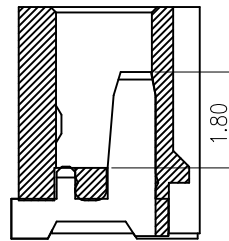
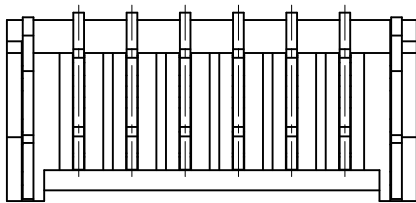


Ordering code:

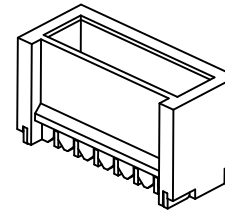
E1008W00-NP-S X X X XX-L1
 ①②③④⑤

- ① N=Halogen Free R=RoHS
- ② Material: 9=Nylon 9T L=LCP 6=Nylon 6T
- ③ Color: B=Black E=Beige
- ④ Plating code: T1=Tin plated
G1=Gold-flash
- ⑤ L1=Lock

Poles	Dimensions(mm)		
	A	B	C
02	1.00	3.70	2.50
03	2.00	4.70	3.50
04	3.00	5.70	4.50
05	4.00	6.70	5.50
06	5.00	7.70	6.50
07	6.00	8.70	7.50
08	7.00	9.70	8.50
09	8.00	10.70	9.50
10	9.00	11.70	10.50
11	10.00	12.70	11.50
12	11.00	13.70	12.50
13	12.00	14.70	13.50
14	13.00	15.70	14.50
15	14.00	16.70	15.50
16	15.00	17.70	16.50
17	16.00	18.70	17.50
18	17.00	19.70	18.50
19	18.00	20.70	19.50
20	19.00	21.70	20.50



SECTION A-A
SCALE 1:1



△				GENERAL TOLERANCE	UNIT: mm	DATE	TITLE:			
△				.X±0.30	X°±3°	DRAWN: 朱佑武	Pitch1.00mm SMT			
△				.XX±0.20	.X°±	CHECKED:	180° Wafer			
△				.XXX±0.10	.XX°±	APPROVED: 张彬	VER. A	SCALE: 1/1	N/A	
LTR	NAME	DATE	VERISION RECORD			2015.5.10	SHEET: 1/1			

东莞市宏欣蓝电子有限公司

PROJECTION	PART NO.	E1008W00-NP-SXXXXX-L1
DRAWING NO.	E1008W00-NP-SXXXXX-L1	