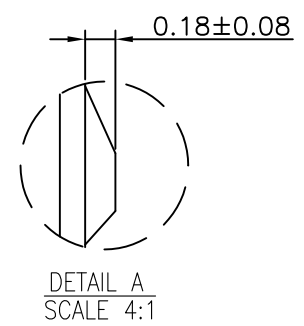
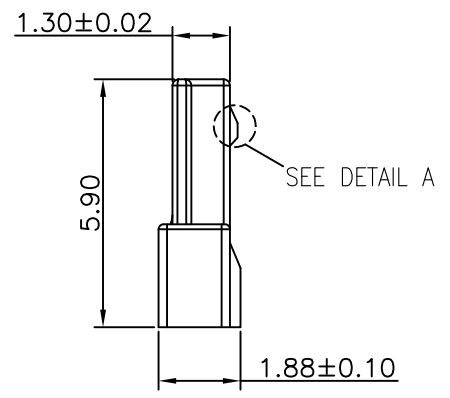
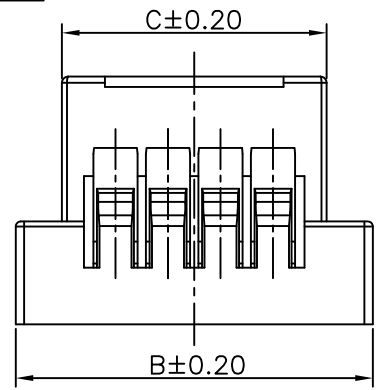
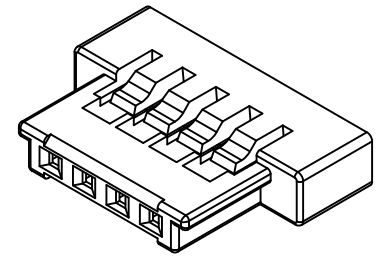
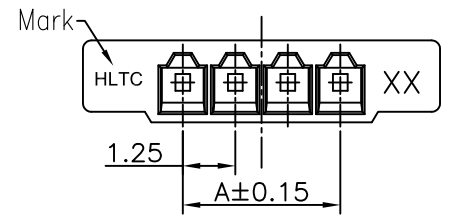


环保物料



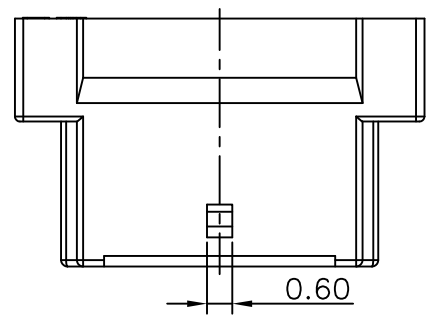
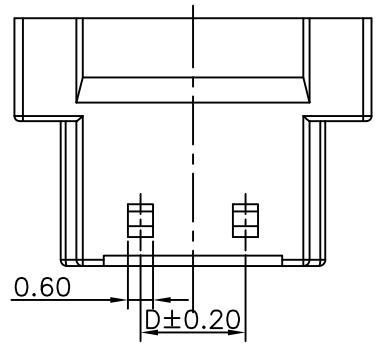
Specifications:
 Rated Voltage : 100V AC/DC
 Rated Current : 1A AC,DC
 Withstand Voltage : 500V AC/minute
 Contact Resistance : 20mΩ(MAX.)
 Insulation Resistance : 500MΩ(MIN.)
 Temperature Range : -25°C~+85°C
 Pitch Between Poles : 1.25mm



E1256H00-NPA-A-HF-NK
 ① ② ③④⑤ ⑥ ⑦

- ① Series No.
- ② H90 : Side Contact
H00 : Up Contact
- ③ No. of Circuits
- ④ A : Product color(A--Y)
Blank : Natural type
- ⑤ A : Double salient points
Blank : Single convex point
- ⑥ HF : Halogen Free
- ⑦ NK : No Mark

Dimensional Ordering Information:				
Circuits Part No	Dimensions			
	A	B	C	D
4P	3.75	8.50	6.30	2.50
5P	5.00	9.75	7.55	3.75
6P	6.25	11.00	8.80	5.00
7P	7.50	12.25	10.05	6.25
8P	8.75	13.50	11.30	7.50
9P	10.00	14.75	12.55	8.75
10P	11.25	16.00	13.80	10.00
11P	12.50	17.25	15.05	11.25
12P	13.75	18.50	16.30	12.50
13P	15.00	19.75	17.55	13.75
14P	16.25	21.00	18.80	15.00
15P	17.50	22.25	20.05	16.25
20P	23.75	28.50	26.30	22.50
25P	30.00	34.75	32.55	28.75
30P	36.25	41.00	38.80	35.00



04P~30P

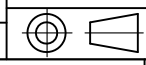
02P~03P

Suitable for HLTC E1256 series terminal

Part No.	Material	Color
E1256H00-NPA-A	Nylon 66,UL 94V-0	黑色
E1256H00-NPA-A-HF	Nylon 66,UL 94V-0	黑色无卤
E1256H00-NPA-A-HF-NK	Nylon 66,UL 94V-0	黑色无卤

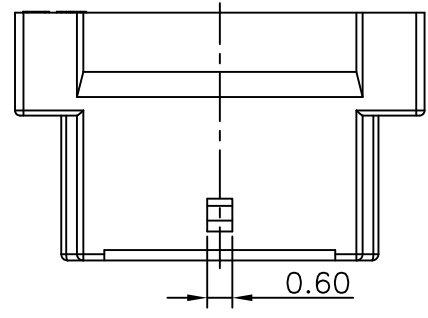
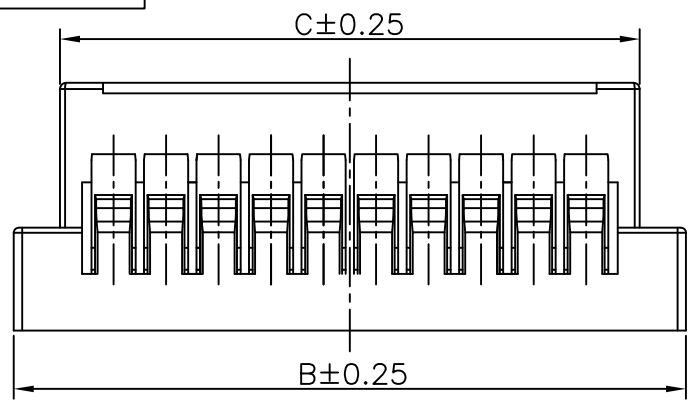
			GENERAL TOLERANCE		UNIT: mm		DATE		TITLE:		
			.X±0.25	X°±5°	DRAWN: 张自豪		2013.06.19		PITCH 1.25mm		
			.XX±0.15	.X°±2°	CHECKED:				FI-S HOUSING		
			.XXX±0.08	.XX°±	APPROVED:				VER. SCALE: N/A		
LTR NAME DATE VERISION RECORD									A1 SHEET: 1/1		
									PROJECT PART NO. E1256H00-NPX-X-HF-XX		
									DRAWING NO. E1256H		

东莞市宏欣蓝电子有限公司

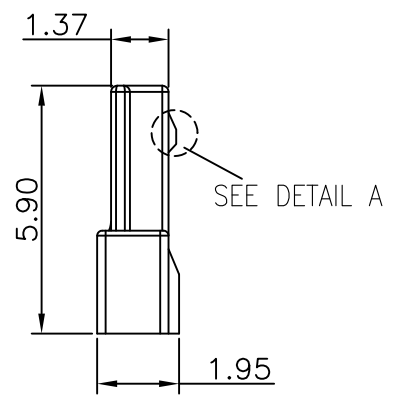
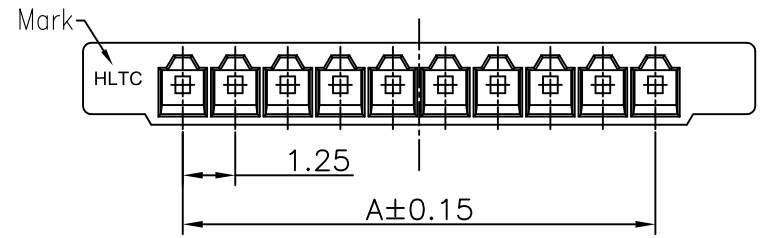


环保物料

Specifications:
 Rated Voltage : 100V AC/DC
 Rated Current : 1A AC,DC
 Withstand Voltage : 500V AC/minute
 Contact Resistance : 20mΩ(MAX.)
 Insulation Resistance : 500MΩ(MIN.)
 Temperature Range : -25°C~+85°C
 Pitch Between Poles : 1.25mm



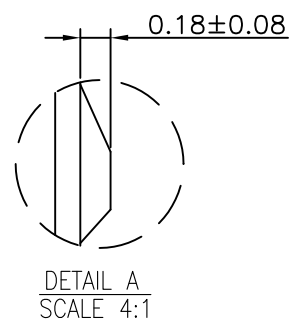
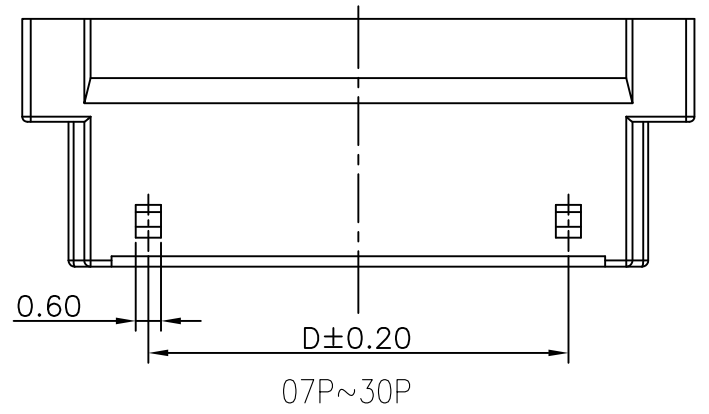
02P~06P



E1256H00-NPX-HF-NK
 ① ② ③④⑤ ⑥

- ① Series No.
- ② H90 : Side Contact
H00 : Up Contact
- ③ No. of Circuits
- ④ X : Product color(A--Y)
Blank : Natural type
- ⑤ HF : Halogen Free
- ⑥ NK : No Mark
Blank : Mark

Dimensional Ordering Information:				
Circuits Part No	Dimensions			
	A	B	C	D
2P	1.25	6.00	3.80	
3P	2.50	7.25	5.05	
4P	3.75	8.50	6.30	
5P	5.00	9.75	7.55	
6P	6.25	11.00	8.80	
7P	7.50	12.25	10.05	6.25
8P	8.75	13.50	11.30	7.50
9P	10.00	14.75	12.55	8.75
10P	11.25	16.00	13.80	10.00
11P	12.50	17.25	15.05	11.25
12P	13.75	18.50	16.30	12.50
13P	15.00	19.75	17.55	13.75
14P	16.25	21.00	18.80	15.00
15P	17.50	22.25	20.05	16.25
20P	23.75	28.50	26.30	22.50
25P	30.00	34.75	32.55	28.75
30P	36.25	41.00	38.80	35.00



Suitable for HLTC E1256 series terminal

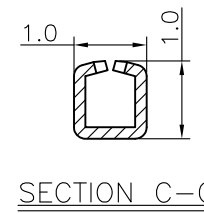
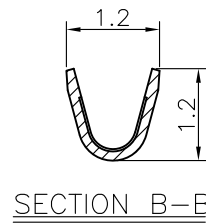
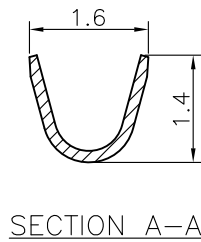
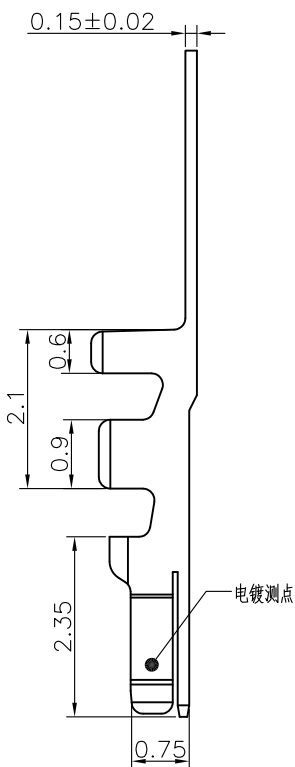
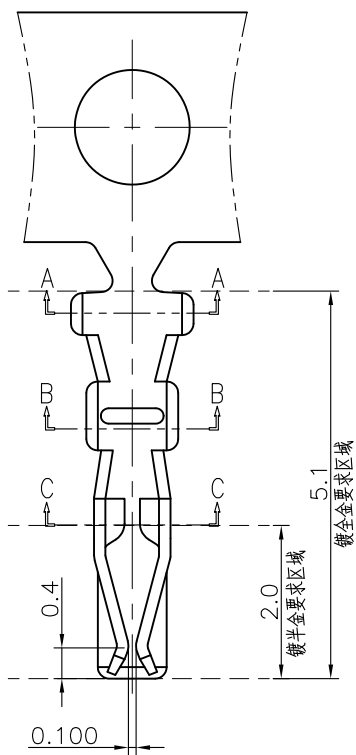
Part No.	Material	Color
E1256H00-NP-HF	Nylon 66,UL 94V-0	本色无齿
E1256H00-NP-HF-NK	Nylon 66,UL 94V-0	本色无齿
E1256H00-NPA-HF	Nylon 66,UL 94V-0	黑色无齿
E1256H00-NPA-HF-NK	Nylon 66,UL 94V-0	黑色无齿

GENERAL TOLERANCE		UNIT: mm		DATE		TITLE:		
.X±0.25	X°±5°	DRAWN:	张自豪	2013.06.19		PITCH 1.25mm		
.XX±0.15	.X°±2°	CHECKED:				FI-S HOUSING		
.XXX±0.08	.XX°±	APPROVED:				VER.	SCALE:	N/A
						A1	SHEET:	1/1

东莞市宏欣蓝电子有限公司

PROJECT	PART NO.	E1256H00-NPX-XX-XX	
DRAWING NO.		E1256H	

环保物料



Note: E1256TOP-XX-XX

Finish	空码: Mark	
5A--Gold-flash	5B--2u"	5C--3u"
5D--4u"	5E--5u"	5F--10u"
5G--15u"	5H--30u"	5I--50u"
0A--Gold-flash	0B--2u"	0C--3u"
0D--4u"	0E--5u"	0F--10u"
0G--15u"	0H--30u"	0I--50u"

电镀前膜层: 50-100u"

Part No	Wire Range	Insulation O.D.	Material	Finish	Qty/reel
E1256TOP-2E-XX	AWG#28 ~ #32	1.00mm(max)	Phosphor Bronze	Tin:60U"Min,Ni:30U"Min	20,000 pcs
E1256TOP-0X-XX	AWG#28 ~ #32	1.00mm(max)	Phosphor Bronze	Gold-plated contact area	20,000 pcs
E1256TOP-5X-XX	AWG#28 ~ #32	1.00mm(max)	Phosphor Bronze	Gold-plated overall	20,000 pcs

				GENERAL TOLERANCE		UNIT: mm		DATE		TITLE:		
				.X ± 0.25	X° ± 5°	DRAWN: 张自豪		2013.07.06		FI-S 端子		
				.XX ± 0.15	.X° ± 2°	CHECKED:				PROJECT		
				.XXX ± 0.08	.XX° ±	APPROVED:				PART NO. E1256TOP-XX-XX		
LTR	NAME	DATE	VERSION RECORD							DRAWING NO. E1256T		

东莞市宏欣蓝电子有限公司

