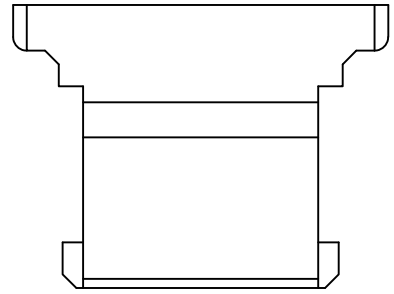
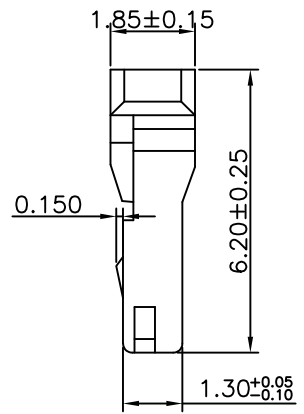
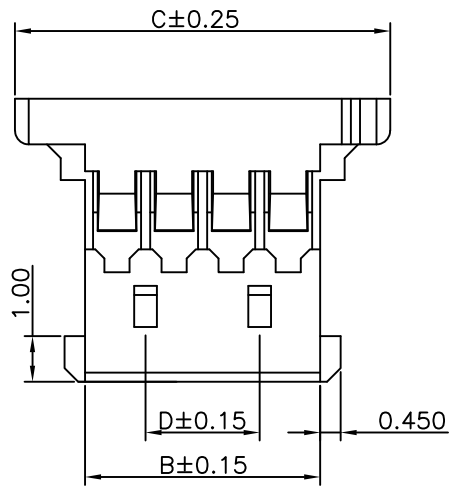


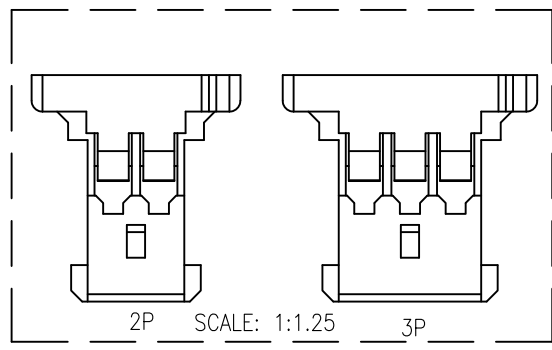
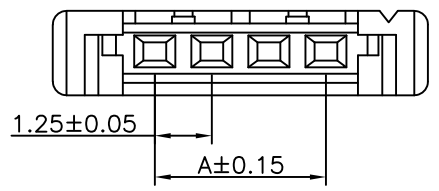
E1255H00-NPX-HF-NK
 ① ② ③④ ⑤ ⑥

- ① Series No.
- ② H90 : Side Contact
H00 : Up Contact
- ③ No. of Circuits
- ④ X : Product color(A--Y)
Blank : Natural type
- ⑤ HF : Halogen Free
- ⑥ NK : No Mark
Blank : Mark

Dimensional Ordering Information:				
Circuits Part No	Dimensions			
	A	B	C	D
2P	1.25	2.65	5.72	
3P	2.50	3.90	6.97	
4P	3.75	5.15	8.22	2.50
5P	5.00	6.40	9.47	3.75
6P	6.25	7.65	10.72	5.00
7P	7.50	8.90	11.97	6.25
8P	8.75	10.15	13.22	7.50
9P	10.00	11.40	14.47	8.75
10P	11.25	12.65	15.72	10.00
11P	12.50	13.90	16.97	11.25
12P	13.75	15.15	18.22	12.50
13P	15.00	16.40	19.47	13.75
14P	16.25	17.65	20.72	15.00
15P	17.50	18.90	21.97	16.25
16P	18.75	20.15	23.22	17.50
17P	20.00	21.40	24.47	18.75
18P	21.25	22.65	25.72	20.00
19P	22.50	23.90	26.97	21.25
20P	23.75	25.15	28.22	22.50
26P	31.25	32.65	35.72	22.50
30P	36.25	37.65	40.72	22.50



SPECIFICATIONS
 Current rating: 1.5A AC, DC
 Voltage rating: 125V AC,DC
 Temperature range: -25°C ~ +85°C
 Insulation resistance: 100MΩ Min.
 Withstanding voltage: 250V AC/ minute.
 Contact resistance: 20mΩ Max.

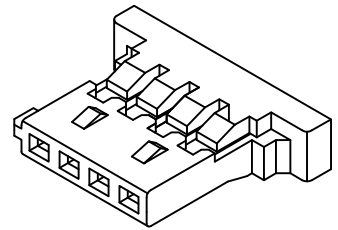
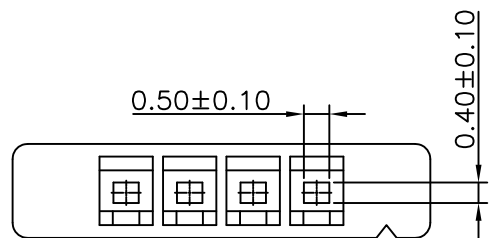
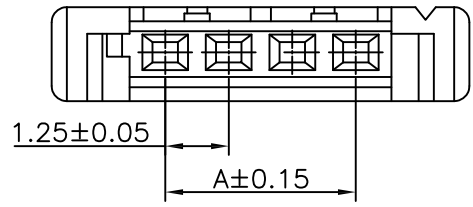
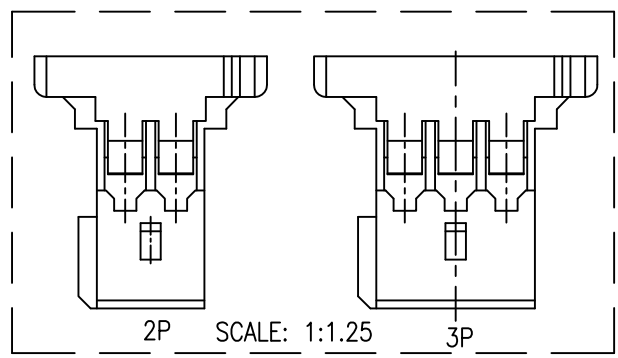
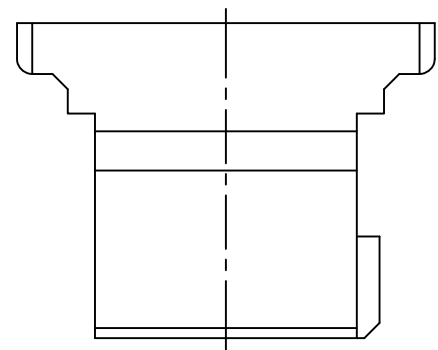
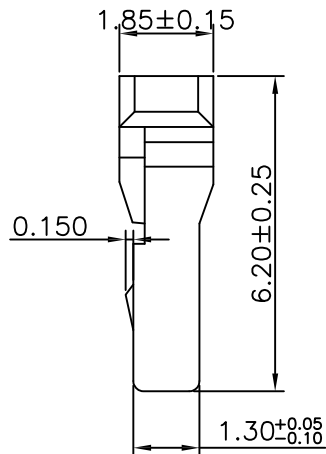
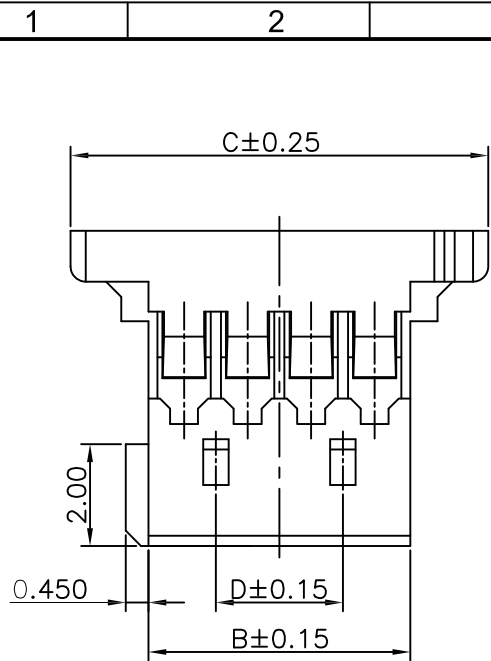


Suitable for E1255 series terminal

Part No.	Material	Color
E1255H00-NPA-HF	Nylon 66,UL 94V-0	黑色无卤
E1255H00-NPA-HF-NK	Nylon 66,UL 94V-0	黑色无卤
E1255H00-NP-HF	Nylon 66,UL 94V-0	本色无卤
E1255H00-NP-HF-NK	Nylon 66,UL 94V-0	本色无卤

GENERAL TOLERANCE				UNIT: mm		DATE		TITLE:			
.X ± 0.25				X° ± 5°		DRAWN: 张自豪 2013.05.21		MX51146 1.25mm HOUSING			
.XX ± 0.15				.X° ± 2°		CHECKED:		VER. SCALE: N/A			
.XXX ± 0.08				.XX° ±		APPROVED:		A1 SHEET: 1/1			
LTR	NAME	DATE	VERSION RECORD						PROJECT PART NO. E1255H00-NPX-XX-XX		
								DRAWING NO. E1255H			

东莞市宏欣蓝电子有限公司



Dimensional Ordering Information:

Circuits Part No	Dimensions			
	A	B	C	D
2P	1.25	2.65	5.72	
3P	2.50	3.90	6.97	
4P	3.75	5.15	8.22	2.50
5P	5.00	6.40	9.47	3.75
6P	6.25	7.65	10.72	5.00
7P	7.50	8.90	11.97	6.25
8P	8.75	10.15	13.22	7.50
9P	10.00	11.40	14.47	8.75
10P	11.25	12.65	15.72	10.00
11P	12.50	13.90	16.97	11.25
12P	13.75	15.15	18.22	12.50
13P	15.00	16.40	19.47	13.75
14P	16.25	17.65	20.72	15.00
15P	17.50	18.90	21.97	16.25
16P	18.75	20.15	23.22	17.50
17P	20.00	21.40	24.47	18.75
18P	21.25	22.65	25.72	20.00
19P	22.50	23.90	26.97	21.25
20P	23.75	25.15	28.22	22.50

E1255H00-NPX-HF-NK-S1

- ① Series No.
- ② H90 : Side Contact
H00 : Up Contact
- ③ No. of Circuits
- ④ X : Product color(A--Y)
Blank : Natural type
- ⑤ HF : Halogen Free
- ⑥ NK : No Mark
- ⑦ S1 : S1 Type

Suitable for E1255 series terminal

Part No.	Material	Color
E1255H00-NPA-HF-NK-S1	Nylon 66,UL 94V-0	黑色无齿
E1255H00-NP-HF-NK-S1	Nylon 66,UL 94V-0	本色无齿

				GENERAL TOLERANCE		UNIT: mm		DATE		TITLE:		
				.X ± 0.25	X° ± 5°	DRAWN: 张自豪		2014.07.01		MX51146 1.25mm HOUSING 单		
				.XX ± 0.15	.X° ± 2°	CHECKED:				VER. SCALE: N/A		
				.XXX ± 0.08	.XX° ±	APPROVED:				PROJECT PART NO. E1255H00-NPX-HF-NK-S1		
LTR	NAME	DATE	VERSION RECORD							DRAWING NO. E1255H		
1	2	3	4	5	6	7	8	9				

东莞市宏欣蓝电子有限公司

A

B

E

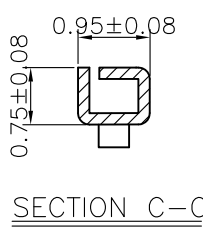
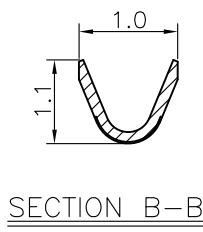
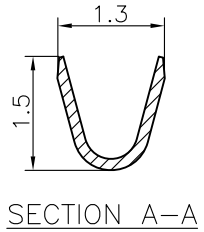
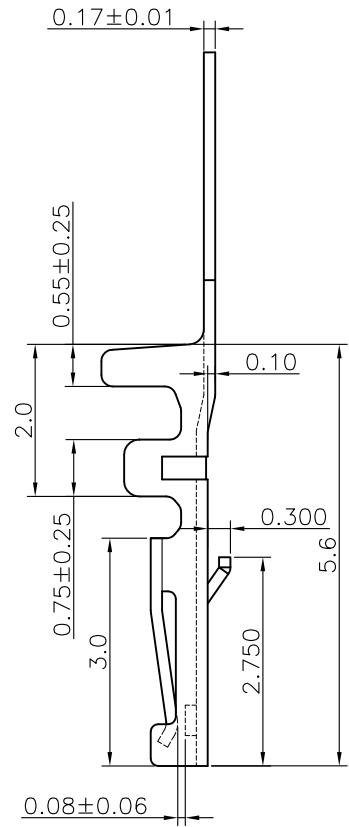
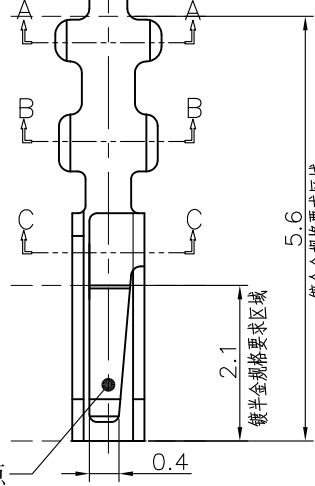
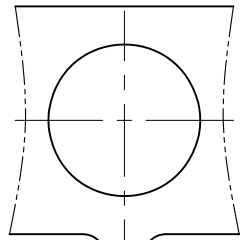
F

A

B

E

F



Note: E1255TOP-XX-XX

空码: Mark
NK: NO Mark

Finish		
5A--Gold-flash	5B--2u"	5C--3u"
5D--4u"	5E--5u"	5F--10u"
5G--15u"	5H--30u"	5I--50u"
0A--Gold-flash	0B--2u"	0C--3u" 电镀前镍底:50-100u"
0D--4u"	0E--5u"	0F--10u"
0G--15u"	0H--30u"	0I--50u"

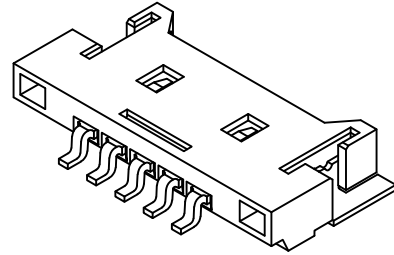
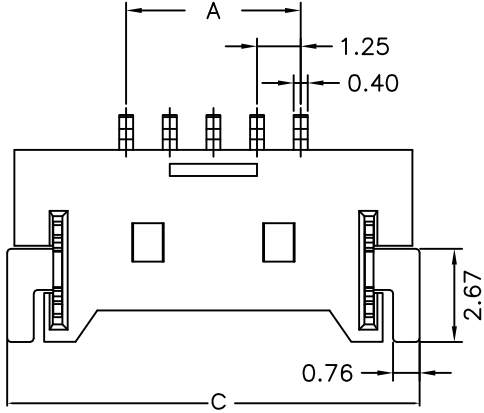
Suitable for 11255 series Housing

Part No	Wire Range	Insulation O.D.	Material	Finish	Qty/reel
E1255TOP-2E-XX	AWG#26 ~ #32	1.00mm(max)	Phosphor Bronze	Tin-plated	20,000 pcs
E1255TOP-5X-XX	AWG#26 ~ #32	1.00mm(max)	Phosphor Bronze	Gold-plated overall	20,000 pcs
E1255TOP-0X-XX	AWG#26 ~ #32	1.00mm(max)	Phosphor Bronze	Gold-plated contact area	20,000 pcs

GENERAL TOLERANCE		UNIT: mm	DATE	TITLE: MX51146 1.25mm Terminal
.X±0.25	X°±5°	DRAWN: 张自豪	2013.07.02	
.XX±0.15	.X°±2°	CHECKED:		
.XXX±0.08	.XX°±	APPROVED:		

东莞市宏欣蓝电子有限公司		
PROJECT	PART NO.	E1255TOP-XX-XX
DRAWING NO.		E1255T

LTR	NAME	DATE	VERSION RECORD



Ordering code:

E1255W90-NP-S X X X XX
①②③④

- ① N=Halogen Free R=RoHS
- ② Material: 6=Nylon 6T L=LCP
9=Nylon 9T
- ③ Color: B=Black E=Beige
- ④ Plating code: T1=Tin plated
G1=Gold-flash

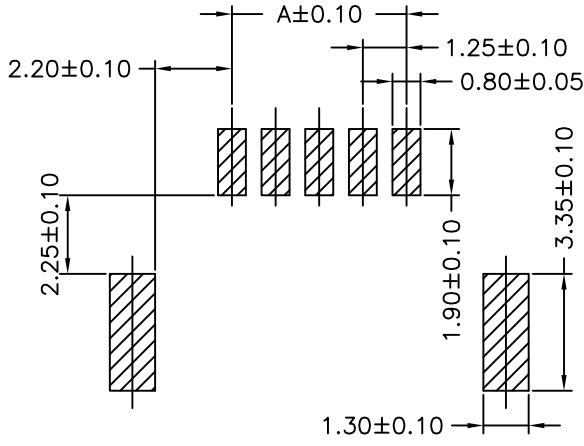
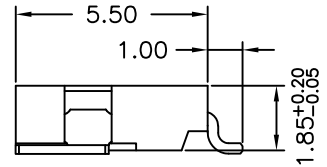
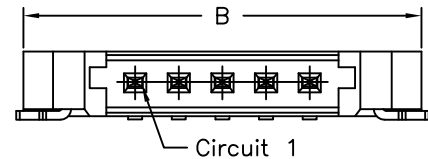
◆ SPECIFICATIONS

- Current rating: 1.5A AC, DC
- Voltage rating: 125V AC,DC
- Temperature range: -25°C ~ +85°C
- Insulation resistance: 100MΩ Min.
- Withstanding voltage: 250V AC/ minute.
- Contact resistance: 20mΩ Max.

Material:

Insulator: High temperature thermoplastics
Contact: Bronze
Solder Nail: Brass
Plating: Gold plated over Nickel
Circuits: 2~20,30
Suitable: E1255 series Housing

CKT.	Dimensions		
	A	B	C
02	1.25	7.65	8.05
03	2.50	8.90	9.30
04	3.75	10.15	10.55
05	5.00	11.40	11.80
06	6.25	12.65	13.05
07	7.50	13.90	14.30
08	8.75	15.15	15.55
09	10.00	16.40	16.80
10	11.25	17.65	18.05
11	12.50	18.90	19.30
12	13.75	20.15	20.55
13	15.00	21.40	21.80
14	16.25	22.65	23.05
15	17.50	23.90	24.30
16	18.75	25.15	22.55
20	23.75	30.15	30.55
30	36.25	42.65	43.05



P.C.B. LAYOUT

				GENERAL TOLERANCE		UNIT: mm		DATE		TITLE:		
				.X ± 0.30		X° ± 1°		DRAWN: 张自豪 2017.09.28		MX 1.25 超薄 WAFER SMT 90度		
				.XX ± 0.20		.X° ±		CHECKED:		PROJECT		
				.XXX ± 0.10		.XX° ±		APPROVED:		PART NO. E1255W90-NP-SXXXXXX		
LTR	NAME	DATE	VERSION RECORD							VER.	SCALE:	N/A
1	2	3	4							A1	SHEET:	1/1
										DRAWING NO. E1255W90-S		

东莞市宏欣蓝电子有限公司

PROJECT: E1255W90-NP-SXXXXXX
PART NO.: E1255W90-NP-SXXXXXX
DRAWING NO.: E1255W90-S