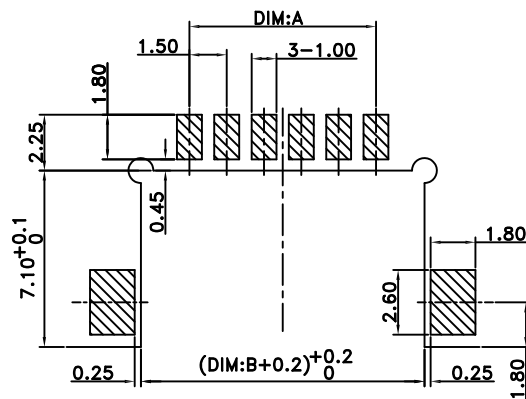
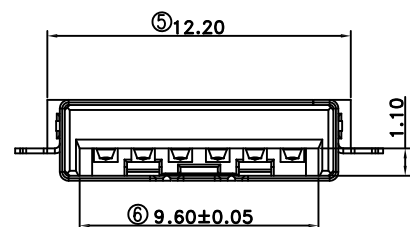
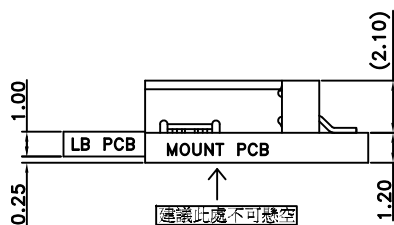


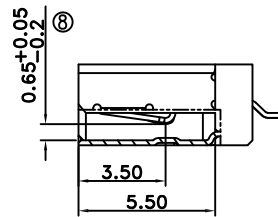
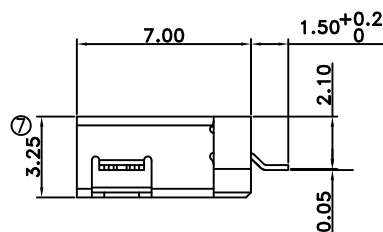
POWER BOARD LAYOUT (T=1.0mm)
(TOLERANCE =±0.05)



P.C.B LAYOUT
(TOLERANCE =±0.05)



PCB ASSEMBLY DRAWING



SECTION A-A

◆ SPECIFICATIONS

- Current rating: 1A AC, DC
- Voltage rating: 200V AC, DC
- Temperature range: -25°C ~ +85°C
- Insulation resistance: 1000MΩ Min.
- Withstanding voltage: 1200V AC/ minute.
- Contact resistance: 30mΩ Max.

Material:

Insulator: LCP UL 94V-0
Contact Terminal: Phosphor Bronze
Contact LEG: Brass
Plating: Tin plated

Ordering code:

E1502W90-6P-S X X X XX
①②③④

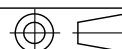
- ① N=Halogen Free R=RoHS
- ② Material: 9=Nylon 9T L=LCP
- ③ Color: B=Black E=Beige
- ④ Plating code: T1=Tin plated
G1=Gold-flash

				GENERAL TOLERANCE		UNIT: mm		DATE		TITLE:					
				.X ± 0.30		X° ± 1°		DRAWN: 张自豪		2020.10.26		Pitch 1.50mm 6P SMT 90度 Wafer			
				.XX ± 0.20		.X° ±		CHECKED:					PROJECT		
				.XXX ± 0.10		.XX° ±		APPROVED:					PART NO. E1502W90-6P-SRLET1		
LTR	NAME	DATE	VERSION	RECORD								DRAWING NO. E1502W90			

东莞市宏欣蓝电子有限公司

PROJECT PART NO. E1502W90-6P-SRLET1

VER. SCALE: N/A
A0 SHEET: 1/1



DRAWING NO. E1502W90