

A

B

E

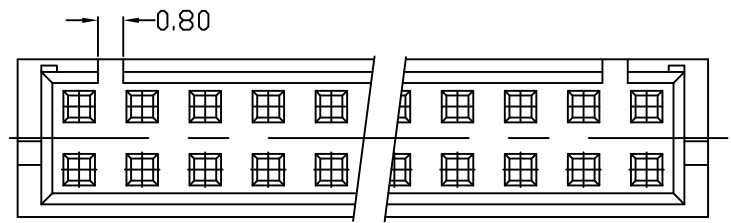
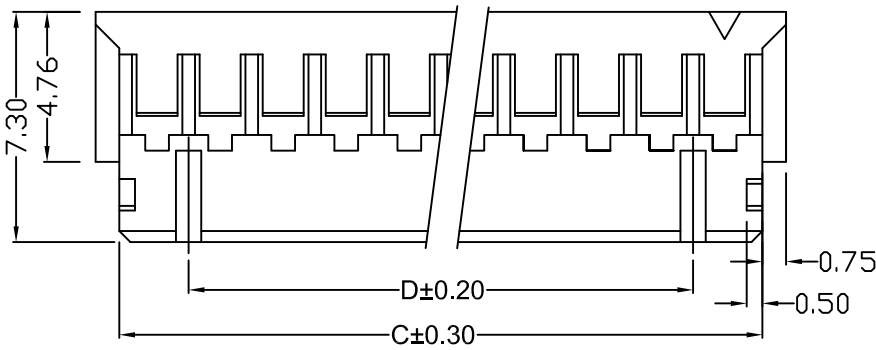
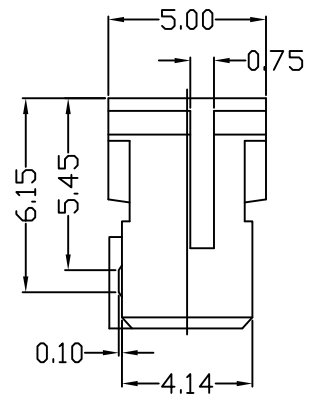
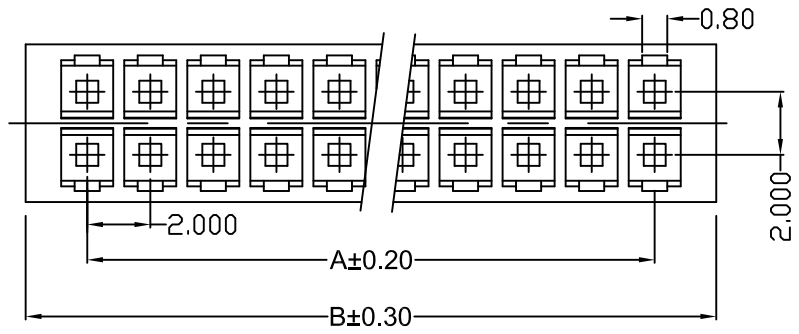
F

A

B

E

F



NOTES:

1. Material: Nylon66, UL94V-0
2. Color: Natural(BLACK)
3. Current Rating: 2A AC,DC
4. Voltage Rating: 250V AC,DC
5. Temperature Rang: -25°C~+85°C
6. Contact Resistance: 20mΩ Max
7. Insulation Resistance: 1000MΩ Min
8. Withstanding Voltage: 800V AC/minute

E2002H00-2XNPX-HF-NK

① ② ③ ④ ⑤ ⑥

- ① Series No.
- ② H90 : Side Contact  
H00 : Up Contact
- ③ No. of Circuits
- ④ X : Product color(A--Y)  
Blank: Natural type
- ⑤ HF : Halogen Free
- ⑥ NK: No Mark  
Blank: Mark

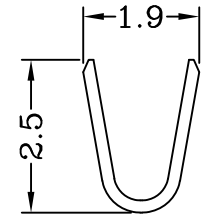
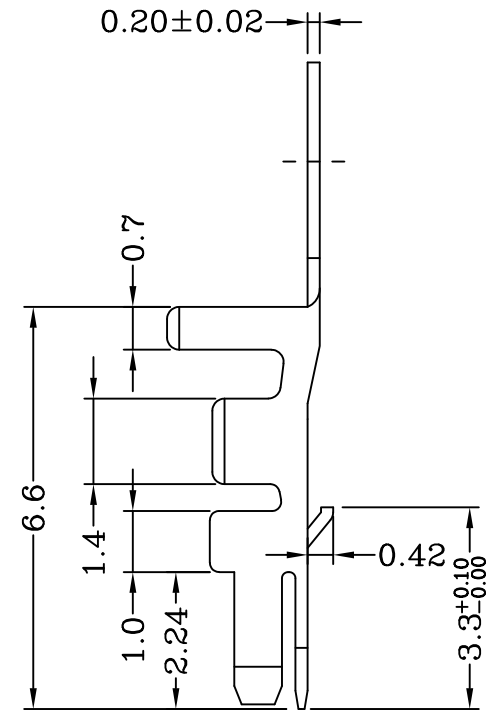
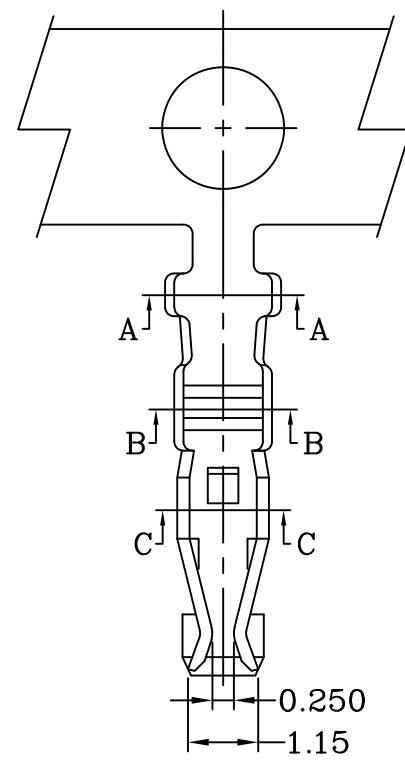
Poles	Dimension(mm)		
	A	B	C
2*2	2.00	6.00	4.40
2*3	4.00	8.00	6.40
2*4	6.00	10.00	8.40
2*5	8.00	12.00	10.40
2*6	10.00	14.00	12.40
2*7	12.00	16.00	14.40
2*8	14.00	18.00	16.40
2*9	16.00	20.00	18.40
2*10	18.00	22.00	20.40
2*11	20.00	24.00	22.40
2*12	22.00	26.00	24.40
2*13	24.00	28.00	26.40
2*14	26.00	30.00	28.40
2*15	28.00	32.00	30.40
2*16	30.00	34.00	32.40
2*17	32.00	36.00	34.40
2*18	34.00	38.00	36.40
2*19	36.00	40.00	38.40

△				GENERAL TOLERANCE		UNIT: mm		DATE		TITLE: PHD2.0 Hosing			东莞市宏欣蓝电子有限公司		
△				.X±0.30 X°±1°		DRAWN: 朱佑武		2014.03.05							
△				.XX±0.20 .X°±		CHECKED: 张自豪		2014.03.05		PROJECT	PART NO.	E2002H00-2XNPX-HF-XX			
△				.XXX±0.10 .XX°±		APPROVED: 朱佑武		2014.03.05		VER.	SCALE:	N/A	DRAWING NO.	E2002H	
LTR	NAME	DATE	VERISION RECORD	.XXX±0.10	.XX°±	APPROVED:	朱佑武	2014.03.05	A	SHEET:	1/1				

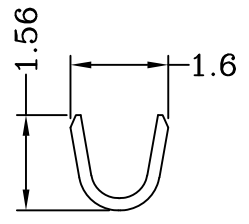
由 Autodesk 教育版产品制作

由 Autodesk 教育版产品制作

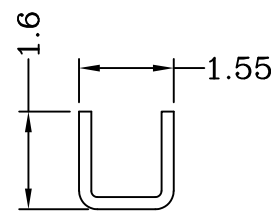
- ◆ SPECIFICATIONS
- Current rating: 3A AC, DC
  - Voltage rating: 250V AC, DC
  - Temperature range: -25°C ~ +85°C
  - Insulation resistance:  $\geq 1000M\Omega$
  - Withstanding voltage: 800V AC/ minute.
  - Contact resistance:  $\leq 20m\Omega$
  - After environmental testing:  $\leq 20M\Omega$
  - Mates with E2002 Series housing



Section A-A



Section B-B



Section C-C

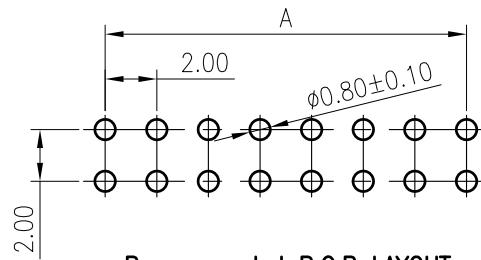
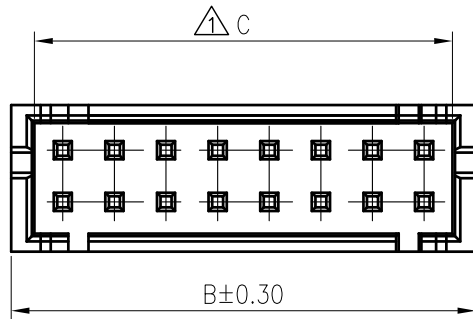
Specifications & Ordering Information:

Part No.	Wire Range	Insulation O.D.	Material	Finish	Qty/reel
E2002T0P-2E-NK	AWG #24~#28	1.60mm(max)	Phosphor bronze	Tin-plated	12,000 PCS

F	△		GENERAL TOLERANCE		UNIT: mm		DATE		TITLE: JST PHD 2.00mm Terminal			东莞市宏欣蓝电子有限公司		
	△		.X±0.25	X°±1°	DRAWN: 朱佑武		2013.3.19							
	△		.XX±0.15	.X°±	CHECKED: 张自豪		2013.3.19		VER. SCALE: N/A		PROJECT	PART NO.	E2002T0P-XX-NK	
	△		.XXX±0.08	.XX°±	APPROVED: 张自豪		2013.3.19		A	SHEET: 1/1	DRAWING NO.		E2002T	
LTR	NAME	DATE	VERSION RECORD											

由 AUTODESK 学生版生成

由 AUTODESK 学生版生成



◆ SPECIFICATIONS

- Current rating: 3A AC, DC
- Voltage rating: 250V AC, DC
- Temperature range: -25°C ~ +85°C
- Insulation resistance: 1000MΩ Min.
- Withstanding voltage: 800V AC/ minute.
- Contact resistance: 20mΩ Max.

Material:

Insulator: Nylon 66 UL 94V-0

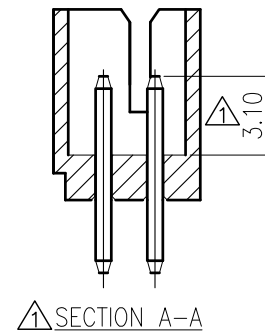
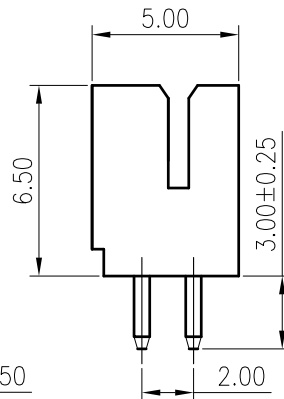
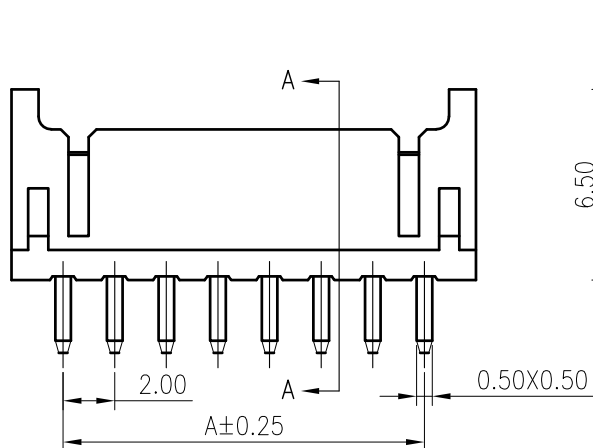
Contact: Brass

Plating: Tin Plated

Suitable: E2002 series Housing

Dimensional & Ordering Information

Circuits	A	B	C
2x2P	2.00	6.00	4.80
2x3P	4.00	8.00	6.80
2x4P	6.00	10.00	8.80
2x5P	8.00	12.00	10.80
2x6P	10.00	14.00	12.80
2x7P	12.00	16.00	14.80
2x8P	14.00	18.00	16.80
2x9P	16.00	20.00	18.80
2x10P	18.00	22.00	20.80
2x11P	20.00	24.00	22.80
2x12P	22.00	26.00	24.80
2x13P	24.00	28.00	26.80
2x14P	26.00	30.00	28.80
2x15P	28.00	32.00	30.80
2x16P	30.00	34.00	32.80
2x17P	32.00	36.00	34.80
2x18P	34.00	38.00	36.80
2x19P	36.00	40.00	38.80
2x20P	38.00	42.00	40.80



		GENERAL TOLERANCE		UNIT: mm		DATE		TITLE: JST PHD 2.00 180° Wafer	
		.X±0.30	X°±1°	DRAWN: <i>Arvin</i>		2018.07.09			
				CHECKED:				VER. SCALE: N/A A1 SHEET: 1/1	
				APPROVED:					
LTR	NAME	DATE	VERISION RECORD	.XXX±0.10	.XX°±				

东莞市宏欣蓝电子有限公司

PROJECTION	PART NO.	E2002W00-2XNP
DRAWING NO.		E2002W00-2XNP

1 2 3 4 5 6 7 8 9

A

B

C

D

E

F

A

B

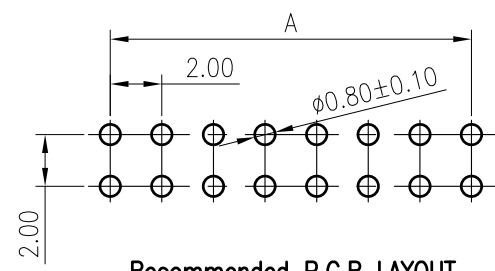
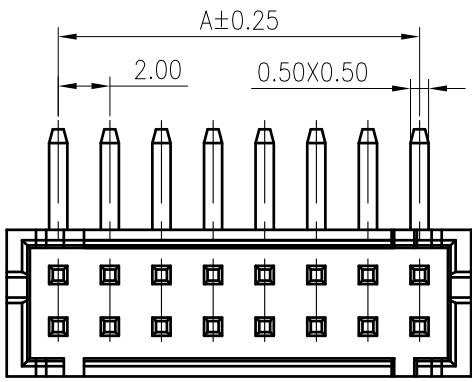
C

D

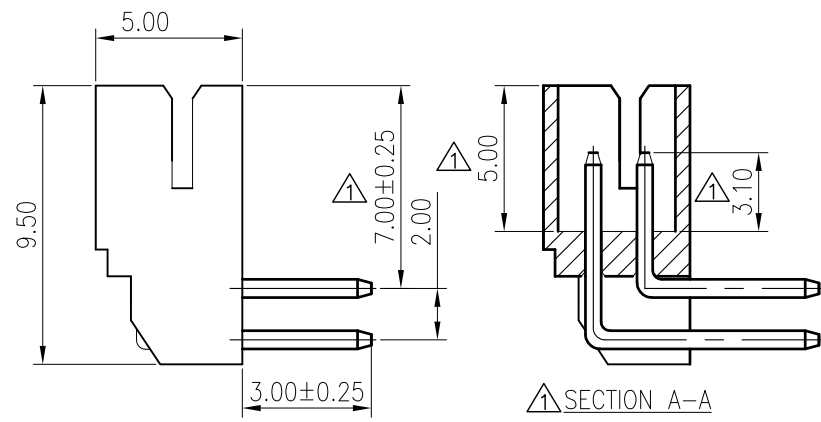
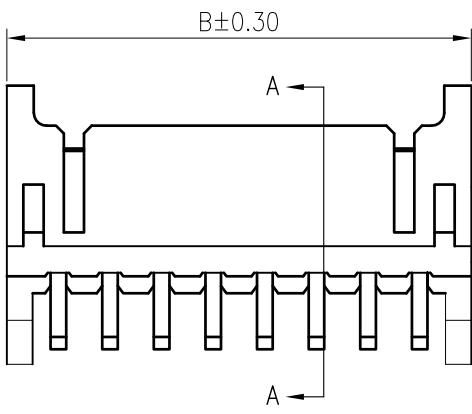
E

F

1 2 3 4 5 6 7 8 9



**Recommended P.C.B LAYOUT**



◆ SPECIFICATIONS

- Current rating: 3A AC, DC
- Voltage rating: 250V AC,DC
- Temperature range: -25°C ~ +85°C
- Insulation resistance: 1000MΩ Min.
- Withstanding voltage: 800V AC/ minute.
- Contact resistance: 20mΩ Max.

Material:

Insulator: Nylon 66 UL 94V-0  
 Contact: Brass  
 Plating: Tin Plated  
 Suitable: E2002 series Housing

Dimensional & Ordering Information

Circuits	A	B	C
2x2P	2.00	6.00	4.80
2x3P	4.00	8.00	6.80
2x4P	6.00	10.00	8.80
2x5P	8.00	12.00	10.80
2x6P	10.00	14.00	12.80
2x7P	12.00	16.00	14.80
2x8P	14.00	18.00	16.80
2x9P	16.00	20.00	18.80
2x10P	18.00	22.00	20.80
2x11P	20.00	24.00	22.80
2x12P	22.00	26.00	24.80
2x13P	24.00	28.00	26.80
2x14P	26.00	30.00	28.80
2x15P	28.00	32.00	30.80
2x16P	30.00	34.00	32.80
2x17P	32.00	36.00	34.80
2x18P	34.00	38.00	36.80
2x19P	36.00	40.00	38.80
2x20P	38.00	42.00	40.80

△				GENERAL TOLERANCE	UNIT: mm	DATE	TITLE: JST PHD 2.00 90° Wafer		
△				.X±0.30	X°±1°	DRAWN: <i>Arvin</i>			
△				.XX±0.20	.X°±	CHECKED:			
△	<i>Arvin</i>	2018.11.19	增加剖面图及规格	.XXX±0.10	.XX°±	APPROVED:			
LTR	NAME	DATE	VERISION RECORD				VER.	SCALE:	N/A
							A1	SHEET:	1/1

**东莞市宏欣蓝电子有限公司**

PROJECTION	PART NO.	E2002W90-2XNP
DRAWING NO.		E2002W90-2XNP