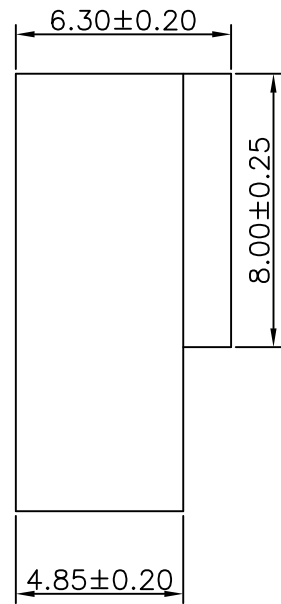
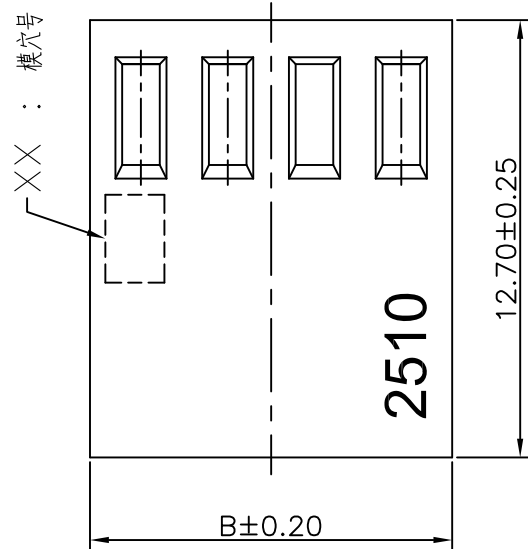


Specifications:
 Rated Voltage : 250V AC/DC
 Rated Current : 2.5A AC,DC
 Withstand Voltage : 1000V AC/minute
 Contact Resistance : 20mΩ(MAX.)
 Insulation Resistance : 1000MΩ(MIN.)
 Temperature Range : -25°C~+85°C

Dimensional Ordering Information:			
Circuits Part No	Dimensions		
	A	B	C
2P	2.54	5.52	3.94
3P	5.08	8.06	6.48
4P	7.62	10.60	9.02
5P	10.16	13.14	11.56
6P	12.70	15.68	14.10
7P	15.24	18.22	16.64
8P	17.78	20.76	19.18
9P	20.32	23.30	21.72
10P	22.86	25.84	24.26
11P	25.40	28.38	26.80
12P	27.94	30.92	29.34
13P	30.48	33.46	31.88
14P	33.02	36.00	34.42
15P	35.56	38.54	36.96
16P	38.10	41.08	39.50
17P	40.64	43.62	42.04
18P	43.18	46.16	44.58
19P	45.72	48.70	47.12
20P	48.26	51.24	49.66



E2543H00-NPX-HF-NK
 ① ② ③④⑤ ⑥
 ① Series No.
 ② H90 : Side Contact
 H00 : Up Contact
 ③ No. of Circuits
 ④ X : Product color(A--Y)
 Blank: Natural type
 ⑤ HF : Halogen Free
 ⑥ NK: No Mark
 Blank: Mark

Suitable for HLTC E2543 series terminal

Part No.	Material	Color
E2543H00-4P-HF-NK	Nylon66,UL 94V-0	白色无卤
E2543H00-4PM-HF-NK	Nylon66,UL 94V-0	米黄色无卤
E2543H00-4PA-HF-NK	Nylon66,UL 94V-0	黑色无卤
E2543H00-4PB-HF-NK	Nylon66,UL 94V-0	咖色无卤

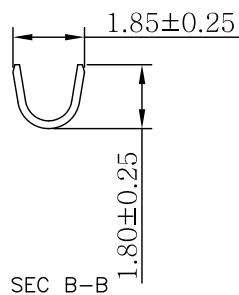
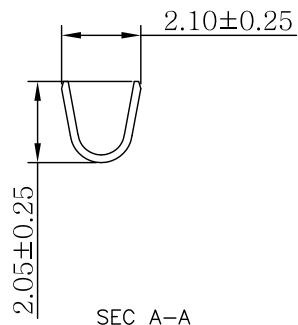
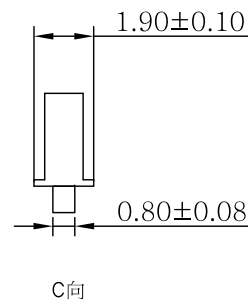
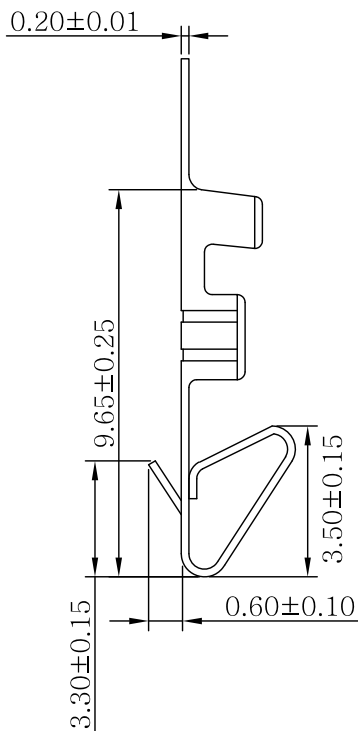
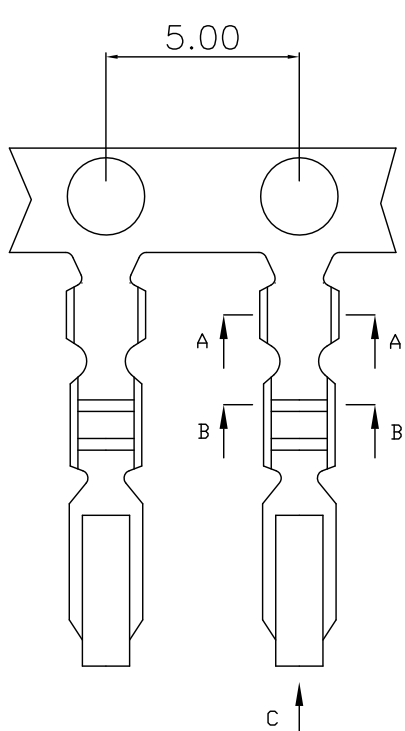
LTR			NAME			DATE			VERISION RECORD			GENERAL TOLERANCE		UNIT: mm		DATE		TITLE:			东莞市宏欣蓝电子有限公司 PROJECT PART NO. E2543H00-NPX-HF-XX DRAWING NO. E2543H					
								.X±0.30		X°±1°		DRAWN: 张自豪		2015.09.28		2510 Housing										
								.XX±0.20		.X°±		CHECKED:				VER. SCALE: N/A										
								.XXX±0.10		.XX°±		APPROVED: 张彬彬		2015.09.28		A1 SHEET: 1/1										
1			2			3			4			5			6			7			8			9		

Specifications:
 Rated Voltage : 250V AC/DC
 Rated Current : 2.5A AC,DC
 Withstand Voltage : 1000V AC/minute
 Contact Resistance : 20mΩ(MAX.)
 Insulation Resistance : 1000MΩ(MIN.)
 Temperature Range : -25°C~+85°C
 Suitable E2543&E2548 series Housing

E2543 I O P-XX-XX

① ②③④ ⑤ ⑥

- ① Series No.
- ② T: Terminal
- ③ 9 : Side Contact
0 : Up Contact
- ④ P : Phosphor Bronze
- ⑤ 2E : Tin-plated
- ⑥ NK : No Mark
Blank : Mark



Specifications & Ordering Information:

Part No.	Material	Wire Range	Insulation O.D.	Finish	Qty/Reel
E2543T0P-2-NK	Phosphor Bronze	AWG #24~28	1.4~1.0mm	Tin-plated先镀后冲	10000PCS
E2543T0P-2E-NK	Phosphor Bronze	AWG #24~28	1.4~1.0mm	Tin-plated先冲后镀	10000PCS
E2543T0P-0A-NK	Phosphor Bronze	AWG #24~28	1.4~1.0mm	Gold-plated镀半金	10000PCS
E2543T0P-5A-NK	Phosphor Bronze	AWG #24~28	1.4~1.0mm	Gold-plated镀全金	10000PCS
E2543T0B-2-NK	Bronze	AWG #24~28	1.4~1.0mm	Tin-plated先镀后冲	10000PCS

				GENERAL TOLERANCE		UNIT: mm		DATE		TITLE: MX2510 Terminal			东莞市宏欣蓝电子有限公司										
		.X ± 0.25		X° ± 1°		DRAWN: 张自豪		2015.09.28															
		.XX ± 0.13		.X° ±		CHECKED:				VER.		SCALE: N/A		PROJECT		PART NO.		E2543T0X-XX-XX					
LTR		NAME		DATE		VERSION RECORD		.XXX ± 0.08		.XX° ±		APPROVED: 张彬彬		2015.09.28		A1		SHEET: 1/1		DRAWING NO.		E2543T	