

RoHS COMPLIANT

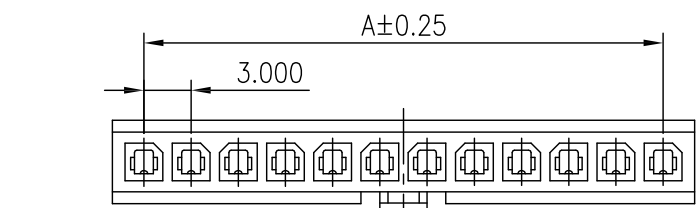
◆ SPECIFICATIONS

- Current rating: 5A AC, DC
- Voltage rating: 250V AC, DC
- Temperature range: -40°C ~ +105°C
- Insulation resistance: 1000MΩ Min.
- Withstanding voltage: 1500V AC/ minute.
- Contact resistance: 10mΩ Max.

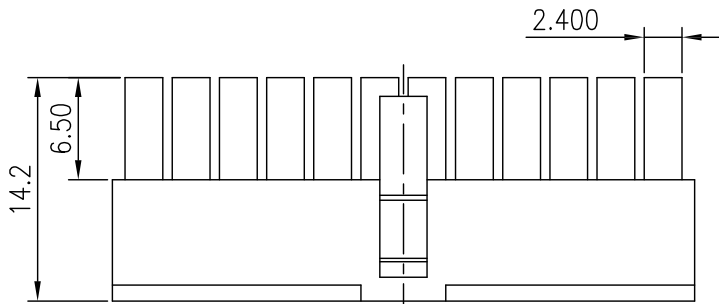
Material: Nylon66 UL94V-0/2

Circuits: 2-12

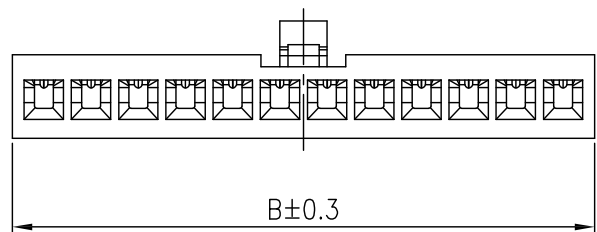
Suitable: C3001TF Series Terminal



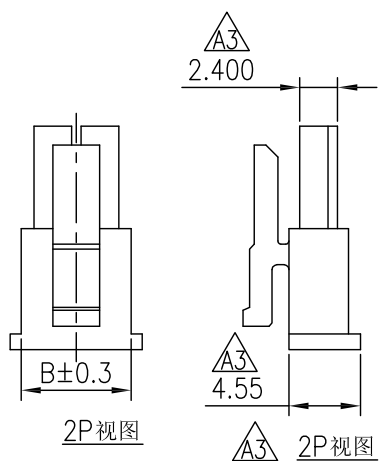
3P-12P视图



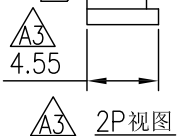
3P-12P视图



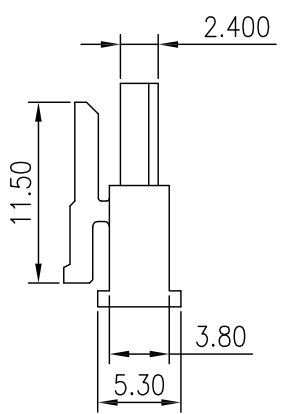
3P-12P视图



2P视图



2P视图



3P-12P视图

C3001HM 0-NPX-XX-NK

① ② ③ ④ ⑤ ⑥ ⑦

- ① Series No.
- ② HM : Male Housing
- ③ 0: UL 94V-0
2: UL 94V-2
- ④ No. of Circuits
- ⑤ X : Product color(A--Y)
Blank: Natural type
- ⑥ HF : Halogen Free
Blank: Rohs
- ⑦ NK: No Mark
Blank: Mark

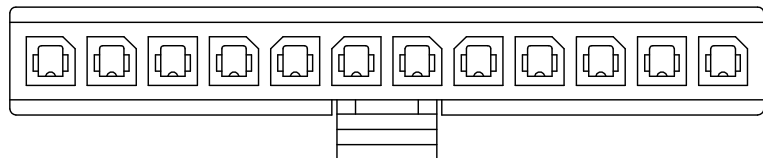
Circuits	Dimensions	
	A	B
2P	3.0	7.00
3P	6.0	10.00
4P	9.0	13.00
5P	12.0	16.00
6P	15.0	19.00
7P	18.0	22.00
8P	21.0	25.00
9P	24.0	28.00
10P	27.0	31.00
11P	30.0	34.00
12P	33.0	37.00

				GENERAL TOLERANCE		UNIT: mm		DATE		TITLE: MX3.0 公 Housing		
				.X ± 0.30	X° ± 5°	DRAWN: 张自豪		2020.5.08		东莞市宏蓝电子有限公司		
				.XX ± 0.20	.X° ±	CHECKED:						
				.XXX ± 0.10	.XX° ±	APPROVED:				PROJECT	PART NO.	C3001HMX-NPX-XX
LTR	NAME	DATE	VERSION RECORD					VER.	SCALE:	N/A	DRAWING NO.	C3001HM
1	2	3	4	AUTODESK 5学生版生成 甲		6	7	8	9			

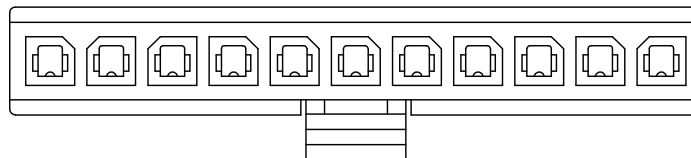
由 AUTODESK 5学生版生成

由 AUTODESK 5学生版生成

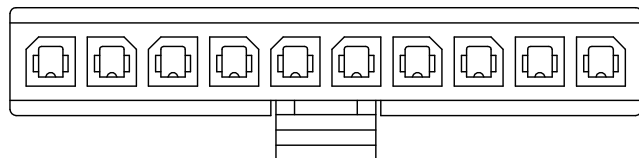
RoHS
COMPLIANT



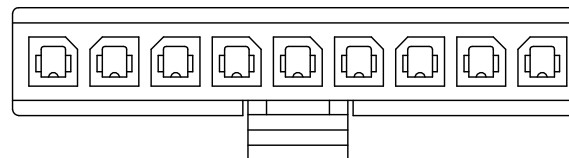
12P



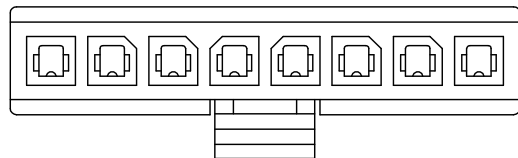
11P



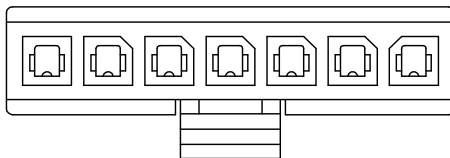
10P



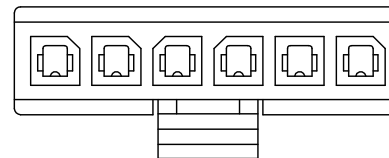
9P



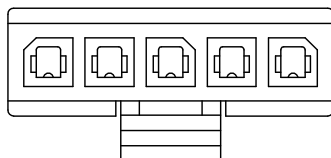
8P



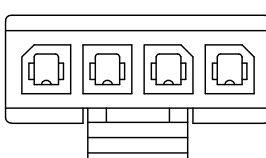
7P



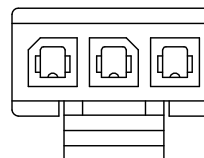
6P



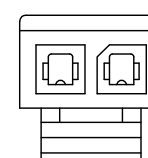
5P



4P



3P



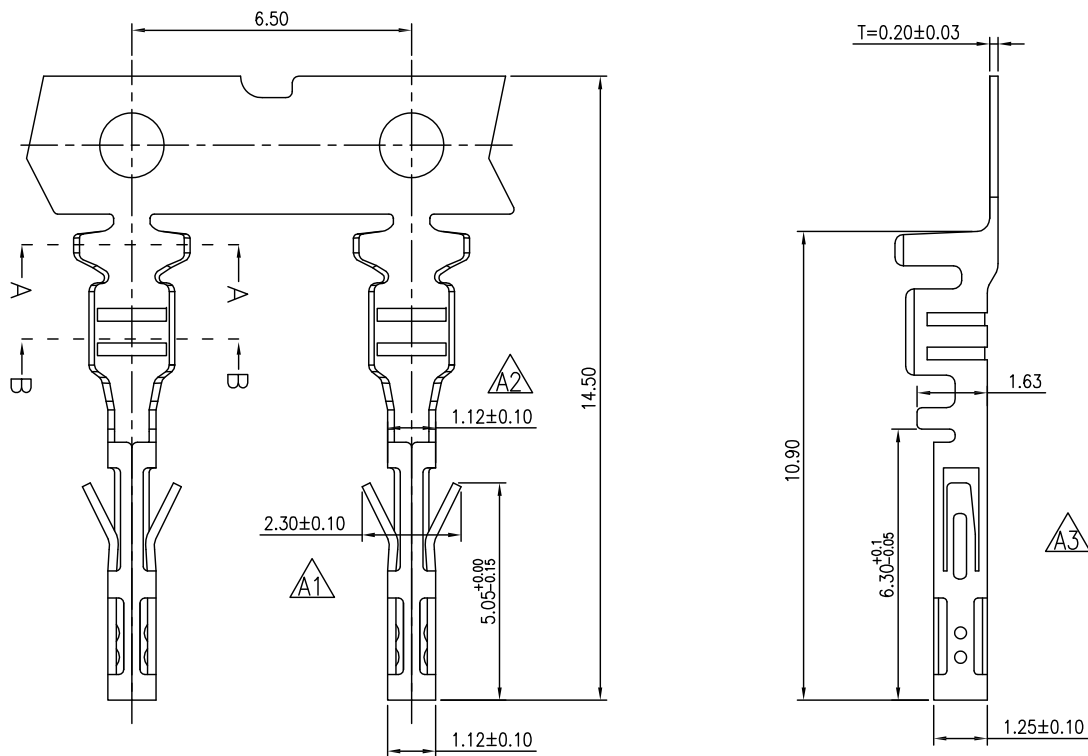
2P

				GENERAL TOLERANCE		UNIT: mm		DATE		TITLE:							
				.X ± 0.30		X° ± 5°		DRAWN: 张自豪		2020.5.08		MX3.0 公 Housing					
				.XX ± 0.20		.X° ±		CHECKED:					东莞市宏蓝电子有限公司				
				.XXX ± 0.10		.XX° ±		APPROVED:					PROJECT		PART NO.	C3001HM-X-XX	
LTR	NAME	DATE	VERSION RECORD							VER.	SCALE:	N/A	DRAWING NO.	C3001HM			
										A1	SHEET:	1/1					

由 AUTODESK 学生版生成

由 AUTODESK 学生版生成

RoHS COMPLIANT



A-A SECTION

B-B SECTION

◆ SPECIFICATIONS

- Current rating: 5A AC, DC
- Voltage rating: 250V AC, DC
- Temperature range: -40°C ~ +105°C
- Insulation resistance: 1000MΩ Min.
- Withstanding voltage: 1500V AC/ minute.
- Contact resistance: 10mΩ Max.

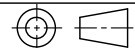
Material: Phosphor Bronze
 Finish: Tin plated over Nickel
 Applicable wires: AWG #20~#24
 Insulation O.D 1.30~1.80 mm
 Suitable: C3001 series Male Housing
 Qty/reel: 10,000PCS

C3001 I F X-XX-XX
 ① ②③④⑤ ⑥

- ① Series No.
- ② T: Terminal
- ③ F : Female terminal
- ④ P : Phosphor Bronze
B : Brass
- ⑤ 2E : Tin-plated 先冲后镀
2 : Tin-plated 先镀后冲
0A : 半金Gold Flash
0E : 半金5U"
0H : 半金30U"
- ⑥ NK : No Mark
Blank : Mark

				GENERAL TOLERANCE		UNIT: mm		DATE		TITLE:		
				.X ± 0.30		X° ± 2°		DRAWN: 张自豪 2020.05.08		MX3.0 母 Terminal 弹片W=2.30		
				.XX ± 0.20		.X° ±		CHECKED:		PROJECT		
				.XXX ± 0.10		.XX° ±		APPROVED:		PART NO.		C3001TFX-XX-XX
LTR	NAME	DATE	VERISION RECORD						VER.		SCALE:	N/A
								A1		SHEET:	1/1	DRAWING NO.
												C3001TF

东莞市宏蓝电子有限公司

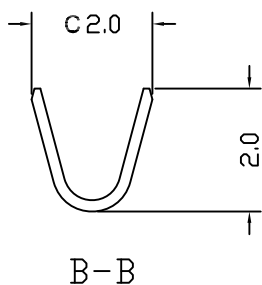
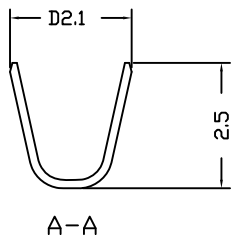
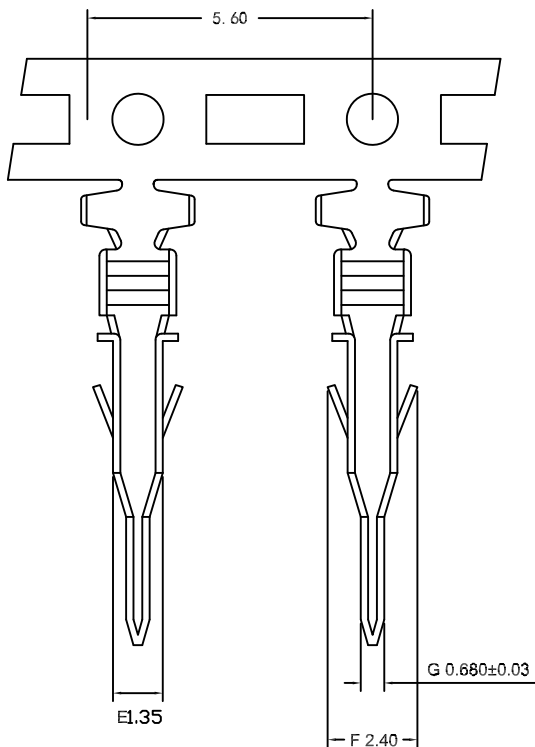
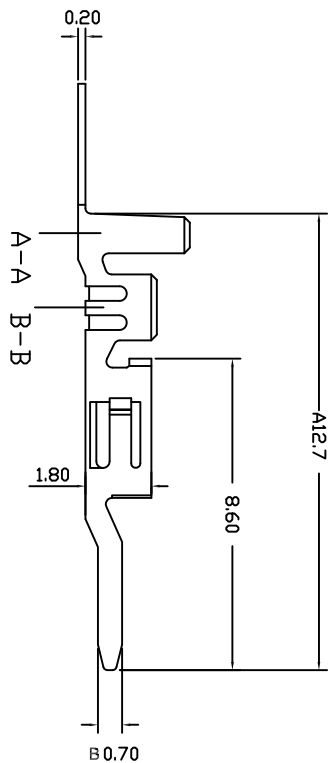


DRAWING NO.

C3001TF

由 AUTODESK 学生版生成

由 AUTODESK 学生版生成



◆ SPECIFICATIONS

- Current rating: 5A AC, DC
- Voltage rating: 250V AC, DC
- Temperature range: -25°C ~ +85°C
- Insulation resistance: 1000MΩ Min.
- Withstanding voltage: 1500V AC/ minute.
- Contact resistance: 10mΩ Max.

Material: Phosphor/Brass Bronze

Finish: Tin plated over Nickel

Applicable wires: AWG #20~#24

Suitable: C3001 series Female Housing

Qty/reel: 10,000PCS

C3001 I M X-XX-XX
① ②③④ ⑤ ⑥

- ① Series No.
- ② T: Terminal
- ③ M : Male terminal
- ④ P : Phosphor Bronze
B : Brass
- ⑤ 2E : Tin-plated 先冲后镀
2 : Tin-plated 先镀后冲
0A : Gold Flash
- ⑥ NK : No Mark
Blank : Mark

△				
△				
△				
△				
LTR	ECN NO.	NAME	DATE	VERISION RECORD
1				

GENERAL TOLERANCE		UNIT: mm	DATE	TITLE:
.X ± 0.25	X° ± 3'	DRAWN: 程如意	2017.03.12	MX3.0 公 Terminal
.XX ± 0.15	.X° ±	CHECKED:		VER. SCALE: 1:1
.XXX ± 0.05	.XX° ±	APPROVED:		A3 SHEET: 1/2

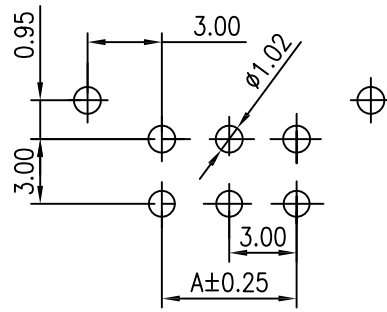
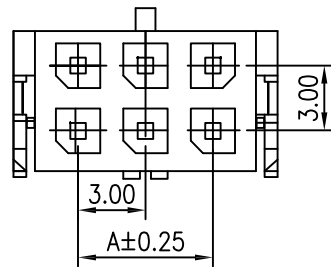
PROJECT	PART NO.	C3001TMX-XX-XX
DRAWING NO.		C3001TM

东莞市宏欣蓝电子有限公司

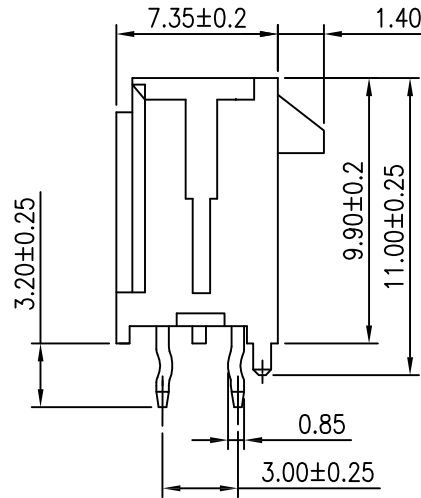
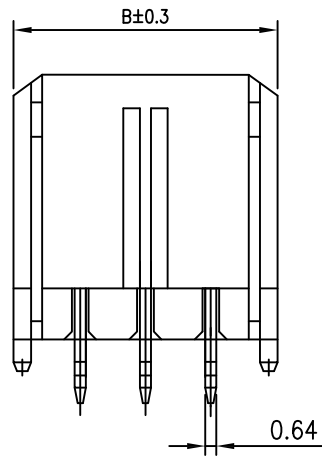
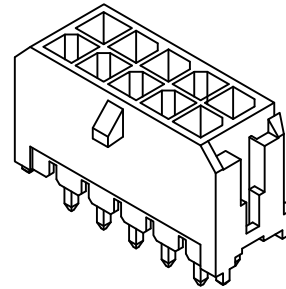
由 AUTODESK 5学生版生成

由 AUTODESK 5学生版生成

RoHS
COMPLIANT



P.C.B. LAYOUT



◆SPECIFICATIONS

- Current rating: 5A AC, DC
- Voltage rating: 250V AC,DC
- Temperature range: -40°C ~ +105°C
- Insulation resistance: 1000MΩ Min.
- Withstanding voltage: 1500V AC/ minute.
- Contact resistance: 10mΩ Max.

Material:

Insulator: PA46 or PA9T UL 94V-0

Contact: Brass

Plating: Tin plated over nickel

Circuits: 2*1~2*12

Suitable: C3001 series single row Housing

Ordering code:

C3001W00-2xNP- X X X XX
①②③④

① N=Halogen Free R=RoHS

② Material: 4=Nylon 46 9=Nylon 9T

③ Color: B=Black E=Beige

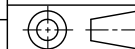
④ Plating code: T1=Tin plated

G1=Gold-flash

PIN NO.	DIMENSIONS		PIN NO.	DIMENSIONS	
	A	B		A	B
2*1P	--	6.65	2*7P	18.00	24.65
2*2P	3.00	9.65	2*8P	21.00	27.65
2*3P	6.00	12.65	2*9P	24.00	30.65
2*4P	9.00	15.65	2*10P	27.00	33.65
2*5P	12.00	18.65	2*11P	30.00	36.65
2*6P	15.00	21.65	2*12P	33.00	39.65

				GENERAL TOLERANCE		UNIT: mm		DATE		TITLE:		
				.X ± 0.30		X° ± 1°		DRAWN: 张自豪 2017.02.28		Molex 3.0 DIP 180° 双排Wafer		
				.XX ± 0.20		.X° ±		CHECKED:		PROJECT		
				.XXX ± 0.10		.XX° ±		APPROVED:		PART NO. C3001W00-2xNP-XXXXXX		
LTR	NAME	DATE	VERSION RECORD							VER.	SCALE:	N/A
1	2	3	4							A	SHEET:	1/1
										DRAWING NO. C3001W00		

东莞市宏欣蓝电子有限公司



DRAWING NO. C3001W00

RoHS
COMPLIANT

◆ SPECIFICATIONS

- Current rating: 5A AC, DC
- Voltage rating: 250V AC,DC
- Temperature range: -40°C ~ +105°C
- Insulation resistance: 1000MΩ Min.
- Withstanding voltage: 1500V AC/ minute.
- Contact resistance: 10mΩ Max.

Material:

Insulator: PA9T/LCP UL 94V-0

Contact: Brass

Plating: Tin plated over nickel

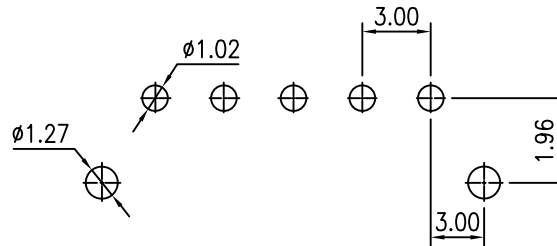
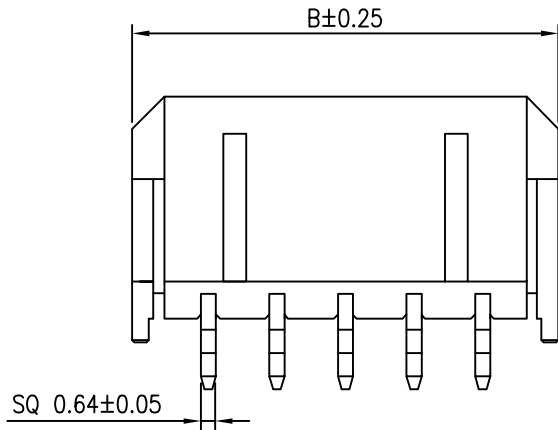
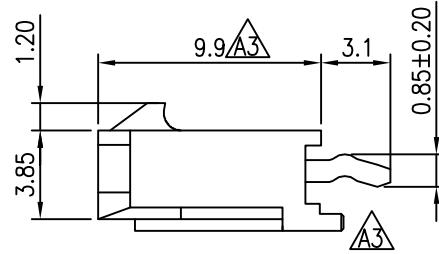
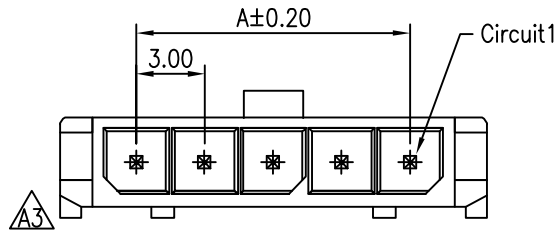
Circuits: 2~12

Suitable: C3001 series single row Housing

Ordering code:

C3001W00-NP- X X X XX
①②③④

- ① N=Halogen Free R=RoHS
- ② Material: 9=Nylon 9T L=LCP
- ③ Color: B=Black E=Beige
- ④ Plating code: T1=Tin plated
G1=Gold-flash



Recommended P.C.B. Layout
Total tolerance:±0.05mm

PIN NO.	DIMENSIONS		PIN NO.	DIMENSIONS	
	A	B		A	B
02P	3.00	9.65	08P	21.00	27.65
03P	6.00	12.65	09P	24.00	30.65
04P	9.00	15.65	10P	27.00	33.65
05P	12.00	18.65	11P	30.00	36.65
06P	15.00	21.65	12P	33.00	39.65
07P	18.00	24.65			

④				GENERAL TOLERANCE	UNIT: mm	DATE	TITLE:		东莞市宏欣蓝电子有限公司
③				.X ± 0.30	X° ± 2°	DRAWN: 张彬彬	Molex 3.0 DIP 180° 单排Wafer Single Row		
②				.XX ± 0.20	.X° ±	CHECKED:	PROJECTION		
①				.XXX ± 0.10	.XX° ±	APPROVED:	SCALE: N/A	PART NO. C3001W00-NP-XXXXXX	
LTR	NAME	DATE	VERSION RECORD				VER. A1	SHEET: 1/1	DRAWING NO. E3001W00