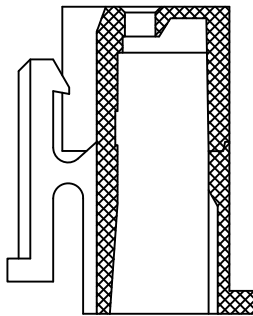
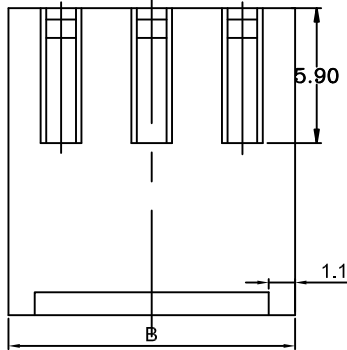
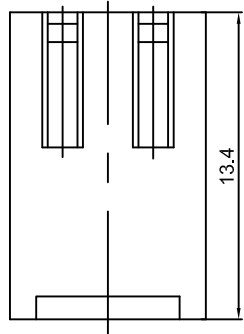


- SPECIFICATIONS :
- Voltage Rating: 250V AC / DC
  - Current Rating: 7A AC / DC
  - Withstanding Voltage: 1500V AC/minute
  - Temperature Range: -25°C~+85°C
  - Insulation Resistance: 1000MΩ Min.
  - Contact Resistance: 20mΩ Max.
  - \*Suitable E3962 series Terminal

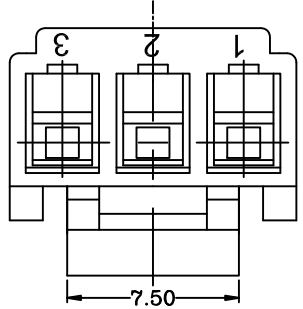
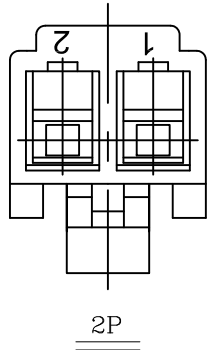
■ \*Material:  
Material: PA66 UL 94V-0  
Color:White



E3962H00-NP-HF-NK  
① ② ③ ④ ⑤

- ① Series No.
- ② H90 : Side Contact  
H00 : Up Contact
- ③ No. of Circuits
- ④ HF : Halogen Free
- ④ NK : No Mark
- Blank : Mark

Poles	Dimensions(mm)	
	DIM. A	DIM. B
2	3.96	8.56
3	7.92	12.52
4	11.88	16.48
5	15.84	20.44
6	19.80	24.40
7	23.76	28.36
8	27.72	32.32
9	31.68	36.28
10	35.64	40.24
11	39.60	44.20
12	43.56	48.16
13	47.52	52.12
14	51.48	56.08
15	55.44	60.04
16	59.40	64.00



SECTION A-A

侧面加胶后产品图

△				GENERAL TOLERANCE	UNIT: mm	DATE	TITLE: VH3.96 Housing PROJECT PART NO. E3962H00-NP-XX-XX DRAWING NO. E3962H		
△				.X±0.30 X°±1°	DRAWN: 张自豪	2012.08.06			
△				.XX±0.20 .X°±	CHECKED:				
△				.XXX±0.10 .XX°±	APPROVED: 张彬彬	2012.08.06			
LTR	NAME	DATE	VERISION RECORD				VER.	SCALE:	N/A
1							A1	SHEET:	1/1

东莞市宏欣蓝电子有限公司

PROJECT PART NO. E3962H00-NP-XX-XX  
DRAWING NO. E3962H

A

B

由 Autodesk 教育版产品制作

E

F

A

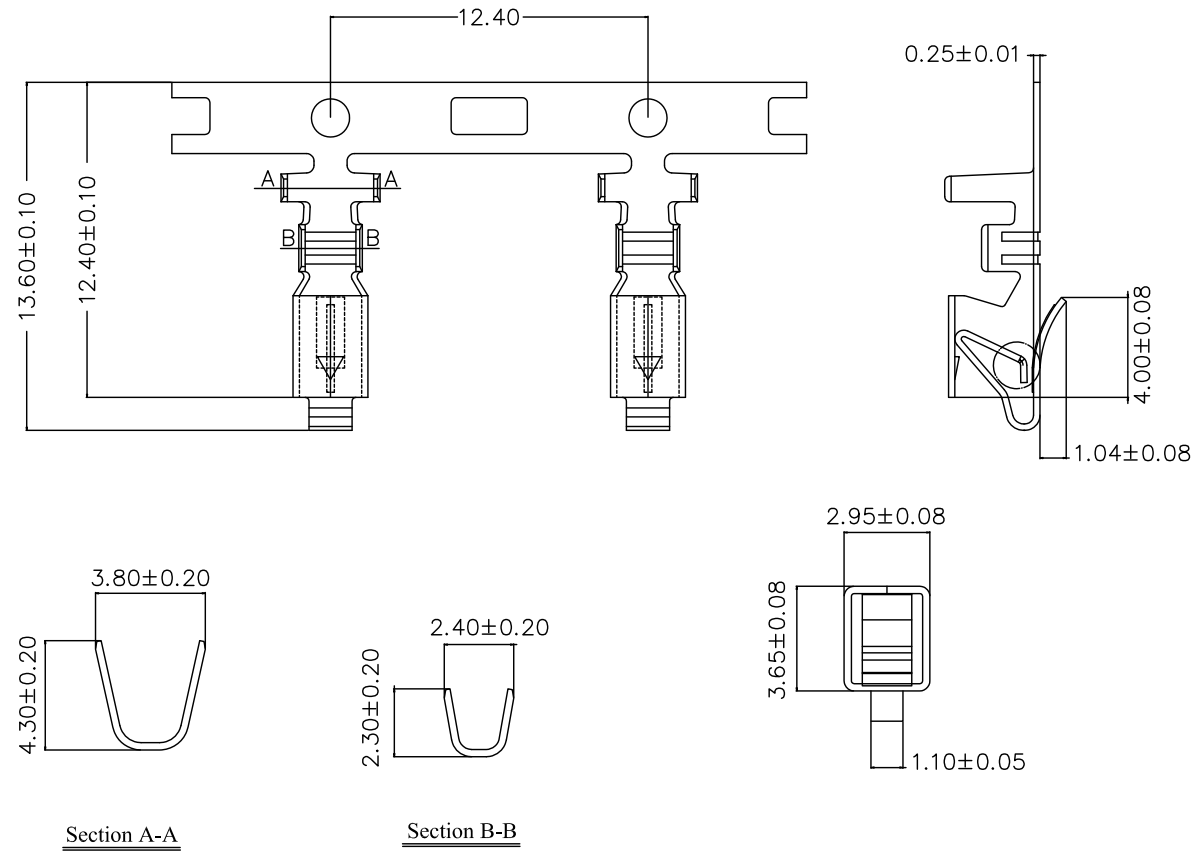
B

由 Autodesk 教育版产品制作

E

F

Specifications:  
 Rated Voltage : 250V AC/DC  
 Rated Current : 7A AC,DC  
 Withstand Voltage : 1500V AC/minute  
 Contact Resistance : 20mΩ(MAX.)  
 Insulation Resistance : 1000MΩ(MIN.)  
 Temperature Range : -25°C~+85°C  
 Suitable E3962 series Housing



E3962 I 0 X-XX-XX  
 ① ② ③ ④ ⑤ ⑥

- ① Series No.
- ② T: Terminal
- ③ 9: Side Contact  
0: Up Contact
- ④ P: Phosphor Bronze  
B: Bronze
- ⑤ 2E: Tin-plated
- ⑥ NK: No Mark  
Blank: Mark

Specifications & Ordering Information:

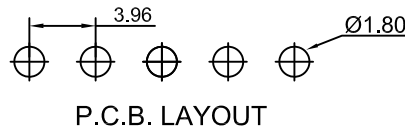
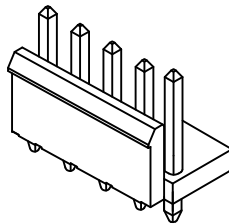
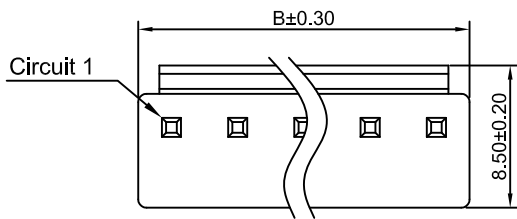
Part No.	Wire Range	Insulation O.D.	Finish	Qty/Reel
E3962TOX-2-NK	AWG #18~22	3.7~1.5mm	Tin-plated 先镀后冲	3000PCS
E3962TOX-2E-NK	AWG #18~22	3.7~1.5mm	Tin-plated 先冲后镀	3000PCS

△				GENERAL TOLERANCE		UNIT: mm		DATE		TITLE: VH3.96 Terminal		
△				.X±0.25	X°±1°	DRAWN: 张自豪		2012.07.25				
△				.XX±0.13	.X°±	CHECKED:						
△				.XXX±0.08	.XX°±	APPROVED: 张彬彬		2012.07.25				
LTR	NAME	DATE	VERISION RECORD				VER.		SCALE:	N/A	PROJECT	
							A1	SHEET:	1/1	DRAWING NO.		E3962T

**东莞市宏欣蓝电子有限公司**

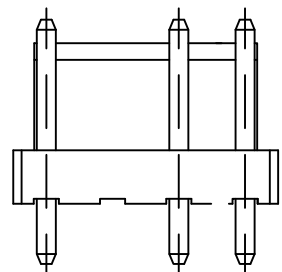
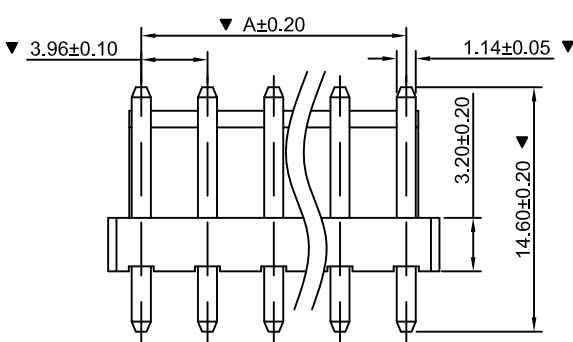
PROJECT PART NO. E3962TOX-XX-XX

DRAWING NO. E3962T

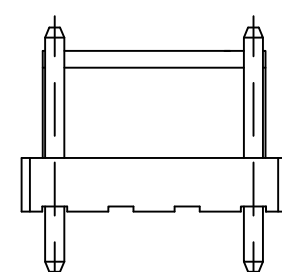


- ◆SPECIFICATIONS
- Current rating: 10A AC, DC
  - Voltage rating: 250V AC,DC
  - Temperature range: -25°C ~ +85°C
  - Insulation resistance: 1000MΩ Min.
  - Withstanding voltage: 1500V AC/ minute.
  - Contact resistance: 20mΩ Max.

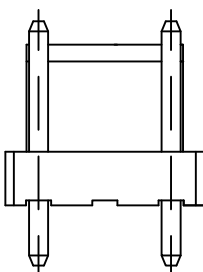
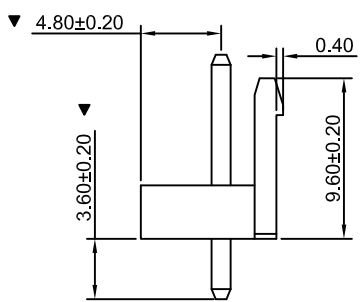
Material:  
 Insulator: Nylon66 UL 94V-0  
 Color: White Halogen Free  
 Pin Material: Brass  
 Plating: Tin plated over Nickel  
 Circuits: 2~16



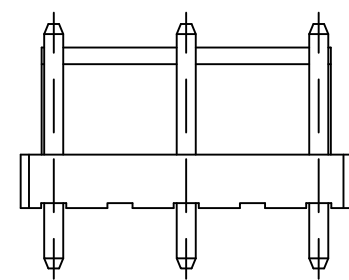
4P缺第2P  
料号: E3962W00-4P-P2-HF



4P缺第2P第3P  
料号: E3962W00-4P-P2P3-HF



3P缺中间1P  
料号: E3962W00-3P-P2-HF



5P缺第2P第4P  
料号: E3962W00-5P-P2P4-HF

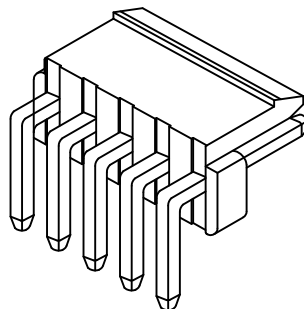
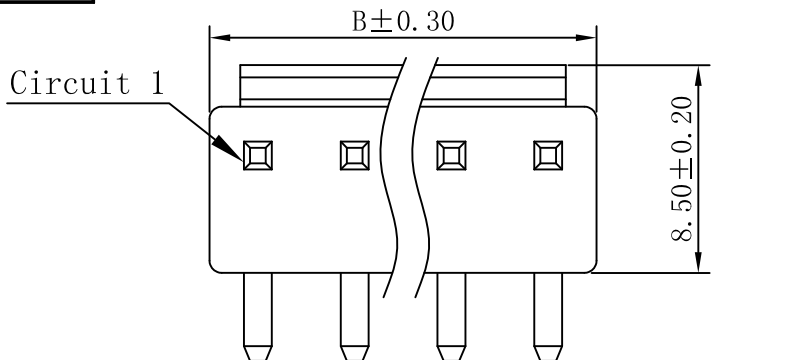
PART NO.	Dimensions (mm)	
	A	B
02	3.96	7.92
03	7.92	11.88
04	11.88	15.84
05	15.84	19.80
06	19.80	23.76
07	23.76	27.72
08	27.72	31.68
09	31.68	35.64
10	35.64	39.60
11	39.60	43.56
12	43.56	47.52
13	47.52	51.48
14	51.48	55.44
15	55.44	59.40
16	59.40	63.36

④				GENERAL TOLERANCE	UNIT: mm	DATE	TITLE:		
③				.X ± 0.30	X° ± 1°	DRAWN: 朱佑武 2013.07.18	JST VH3.96 180° Wafer		
②				.XX ± 0.20	.X° ±	CHECKED: 张自豪 2013.07.18	VER. SCALE: N/A		
①				.XXX ± 0.10	.XX° ±	APPROVED: 张自豪 2013.07.18	A SHEET: 1/1		
LTR	NAME	DATE	VERSION RECORD						

东莞市宏欣蓝电子有限公司

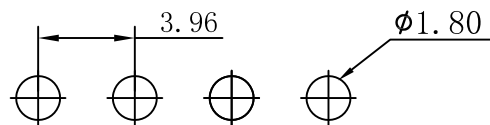
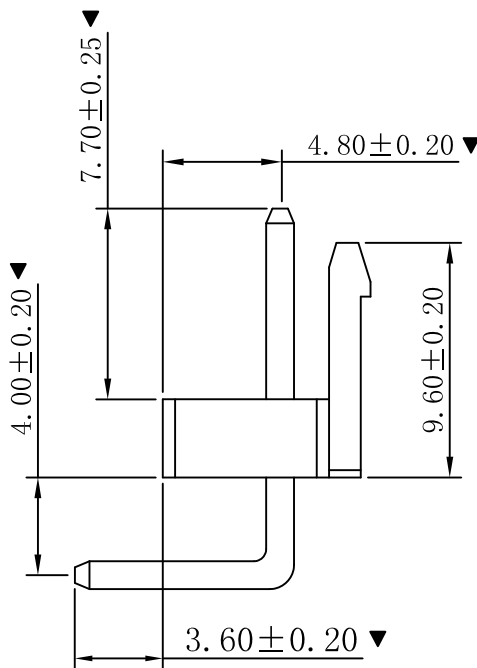
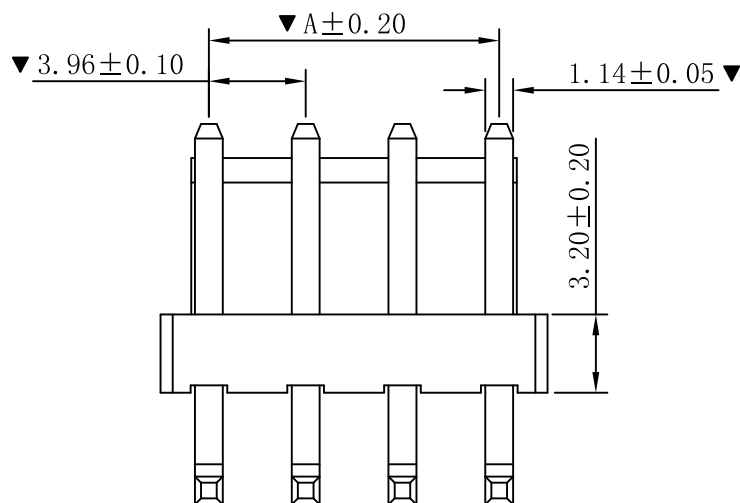
PROJECTION PART NO. E3962W00-NP-HF  
 DRAWING NO. E3962W00

RoHS



- ◆ SPECIFICATIONS
- Current rating: 10A AC, DC
  - Voltage rating: 250V AC, DC
  - Temperature range: -25°C ~ +85°C
  - Insulation resistance: 1000MΩ Min.
  - Withstanding voltage: 1500V AC/ minute.
  - Contact resistance: 20mΩ Max.

Material:  
 Insulator: Nylon66 UL 94V-0  
 Color: White  
 Pin Material: Brass  
 Plating: Tin plated over Nickel  
 Circuits: 2~16



P. C. B. LAYOUT

E3962W90-NPX-XX-X-XX  
 ① ② ③④ ⑤ ⑥ ⑦

- ① Series No.
- ② H90 : Side Contact  
H00 : Up Contact
- ③ No. of Circuits
- ④ X : Product color(A--Y)  
Blank : Natural type
- ⑤ Z : 灼热丝750度
- ⑥ HF : Halogen Free  
Blank : ROHS
- ⑦ NK : No Mark  
Blank : Mark

PART NO.	Dimensions (mm)	
	A	B
02	3.96	7.92
03	7.92	11.88
04	11.88	15.84
05	15.84	19.80
06	19.80	23.76
07	23.76	27.72
08	27.72	31.68
09	31.68	35.64
10	35.64	39.60
11	39.60	43.56
12	43.56	47.52
13	47.52	51.48
14	51.48	55.44
15	55.44	59.40
16	59.40	63.36

④				GENERAL TOLERANCE	UNIT: mm	DATE	TITLE:	
③				.X ± 0.30	X° ± 1°	DRAWN: 朱佑武	JST VH3.96 90° Wafer	
②				.XX ± 0.20	.X° ±	CHECKED: 张自豪	VER. SCALE: N/A	
①				.XXX ± 0.10	.XX° ±	APPROVED: 张自豪	A SHEET: 1/1	
LTR	NAME	DATE	VERSION RECORD					

东莞市宏欣蓝电子有限公司

PROJECTION PART NO. E3962W90-NPX-XX-X-XX

DRAWING NO. E3962W90